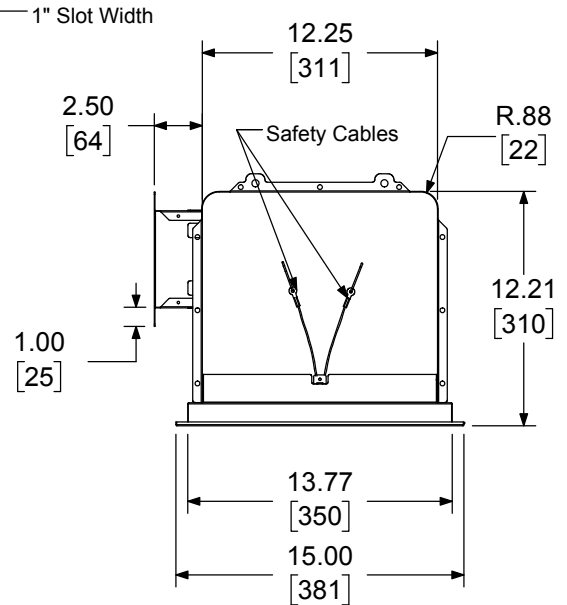
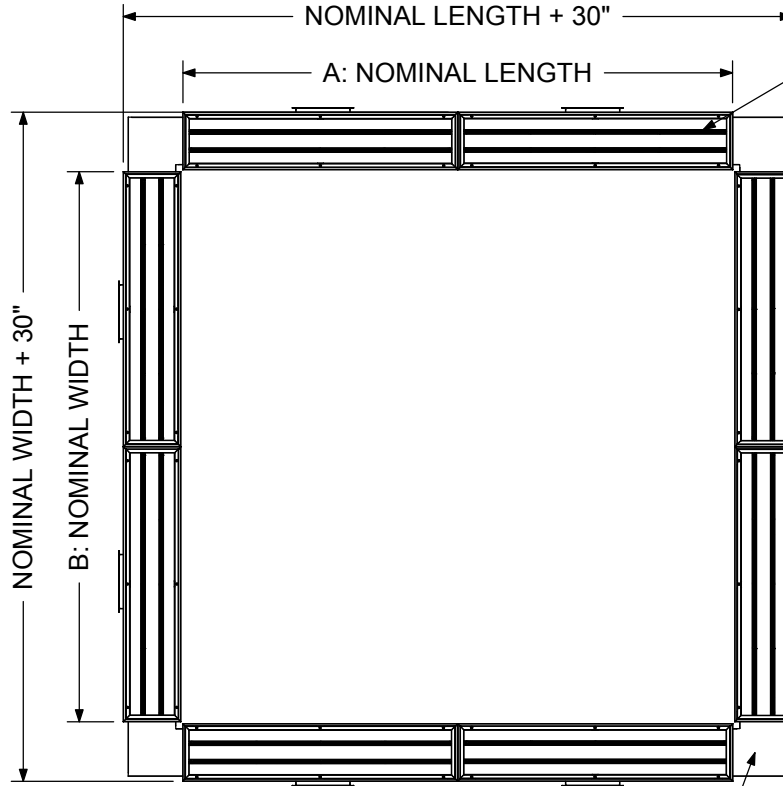


STERILFLO

OPERATING ROOM PARTICULATE CONTROL SYSTEM LINEAR AIR CURTAIN

SUBMITTAL SHEET

Face View



Cross Section View
 DIMENSIONS GIVEN AS INCHES [MM]

Continuous Corner Plenums are above finished ceiling, included by default

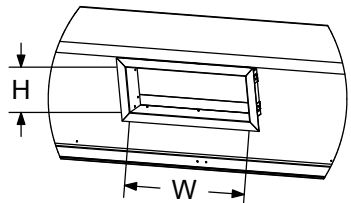
Construction Material	Finish	Optional Features	
Aluminum/ 304 SS 304 Stainless Steel 316 Stainless Steel	90 - Polished Satin 44 - British White	0 Corner Plenums 2 Corner Plenums	1" Foil-Backed Insulation Cable Operated Inlet OBD
<h4>Number of Slots</h4> <div data-bbox="99 1455 755 1963"> <p>1-Slot</p> <p>2-Slot</p> </div>			

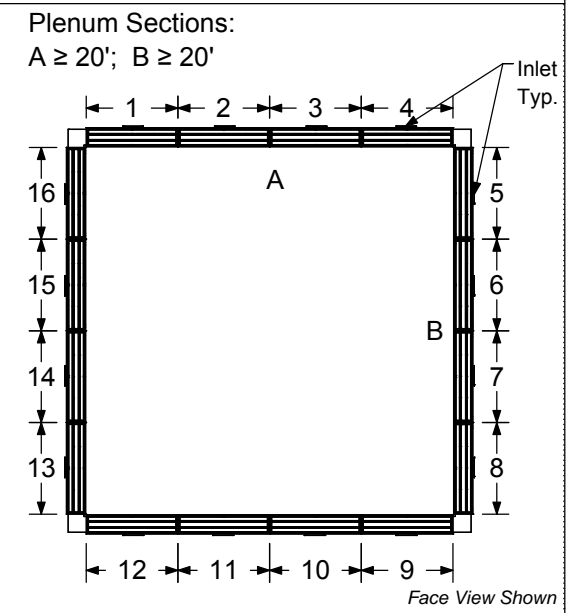
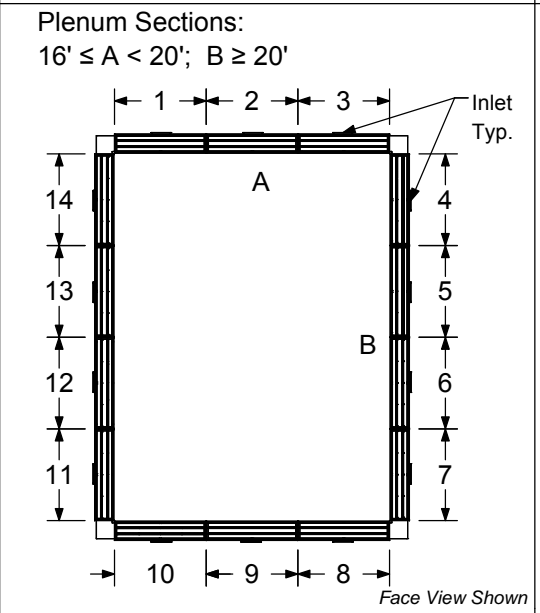
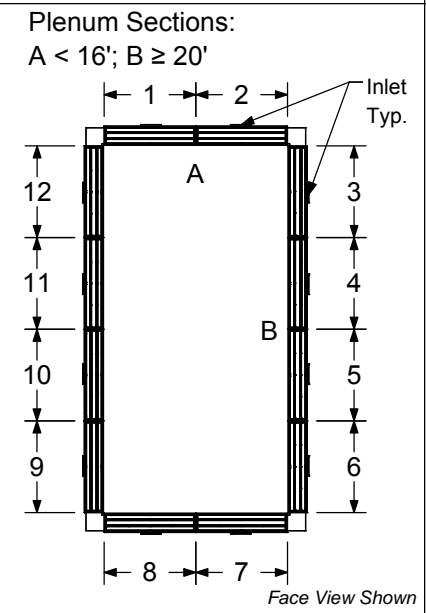
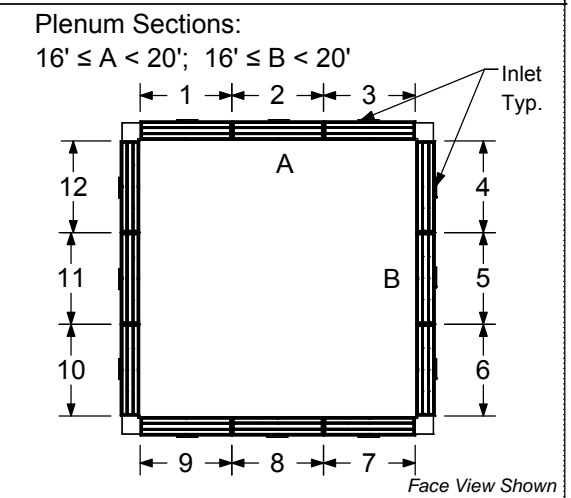
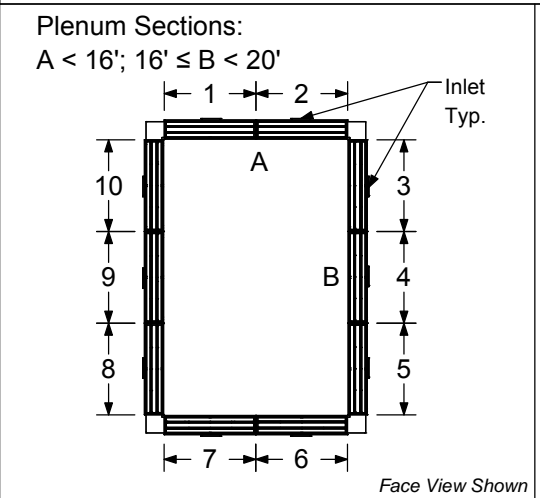
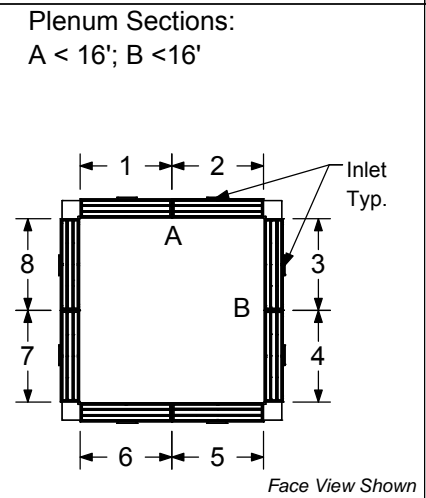
STERILFLO

OPERATING ROOM PARTICULATE CONTROL SYSTEM LINEAR AIR CURTAIN

SUBMITTAL SHEET

Inlet Options

Inlet Orientation Top Inlets Side Inlets	Inlet Dimensions Height: 4" 5" 6" 8" Width: _____ * Maximum width is 48" or section length minus 4"	
---	---	---



Number of Inlets Reference Chart

Nominal Length	10'	12'	14'	16'	18'	20'
Recommended Number of Inlets for 25 CFM/ft	2	2	4	6	6	8
Recommended Number of Inlets for 50 CFM/ft	4	4	8	12	12	16

Inlet Locations
 Select numbered boxes where inlets are located.

1	2	3	4	5	6	7	8	
9	10	11	12	13	14			
15	16	Total Number of Inlets: _____						

Note: Section lengths are nominal length divided by the number of sections along length.