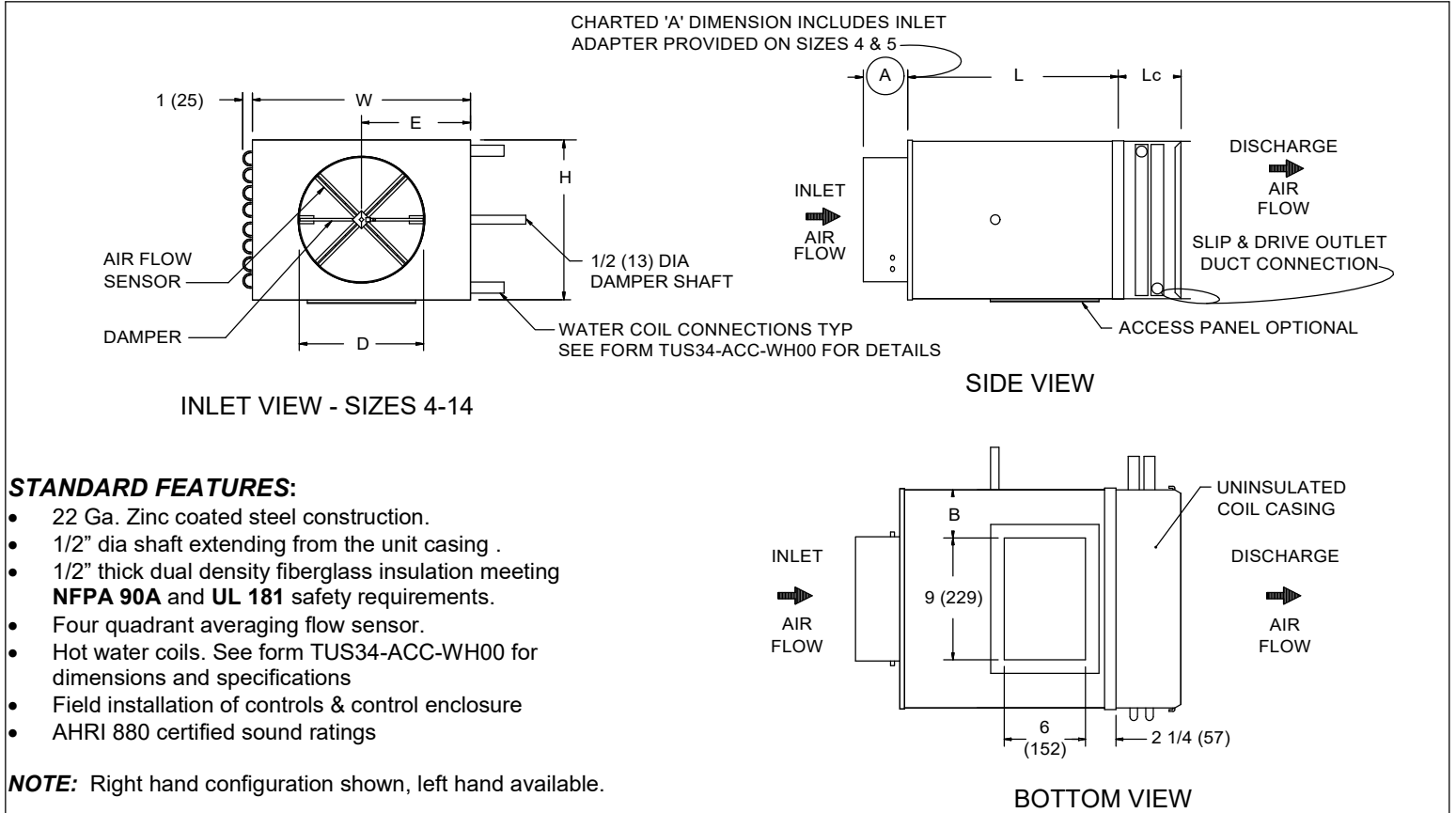


LMHS-LC

SINGLE DUCT WITH LARGE CASING WITH HOT WATER COIL & NO CONTROLS

SUBMITTAL SHEET



OPTIONAL FEATURES:

- Liners:
- 1" dual density fiberglass
 - 1/2" Cellular insulation
 - 1" Cellular insulation
 - Sterilwall w/ 1/2" fiberglass
 - Sterilwall w/ 1" fiberglass
 - Perf. Double Wall w/ 1/2" fiberglass
 - Perf. Double Wall w/ 1" fiberglass
 - Steriliner
 - None
- 20 Ga. Zinc coated steel construction
 - Linear averaging sensor
 - Left hand control
 - Right hand control
 - Left hand water coil connection
 - Right hand water coil connection
 - Bottom access panel
 - Cam lock bottom access panel
 - Manual Damper Control
 - Hanger brackets

DIMENSIONS ARE GIVEN AS INCHES (MM)

INLET SIZE	NOM MAX CFM (L/S)	L	W	H	A	B	D	E	Lc
4	230 (109)	15 1/2 (394)	12 (305)	10 (254)	5 3/8	1 1/2 (38)	3 7/8 (98)	6 (152)	SEE FORM TUS34-ACC-WH00
5	360 (170)	15 1/2 (394)	12 (305)	10 (254)	5 3/8	1 1/2 (38)	4 7/8 (124)	6 (152)	
6	515 (243)	15 1/2 (394)	12 (305)	10 (254)	3 3/8 (86)	1 1/2 (38)	5 7/8 (149)	6 (152)	
7	700 (330)	15 1/2 (394)	14 (356)	12 1/2 (318)	3 3/8 (86)	2 1/2 (64)	6 7/8 (175)	7 (178)	
8	920 (434)	15 1/2 (394)	14 (356)	12 1/2 (318)	3 3/8 (86)	2 1/2 (64)	7 7/8 (200)	7 (178)	
9	1160 (547)	15 1/2 (394)	16 (406)	15 (381)	3 3/8 (86)	3 1/2 (89)	8 7/8 (225)	8 (203)	
10	1430 (674)	15 1/2 (394)	16 (406)	15 (381)	3 3/8 (86)	3 1/2 (89)	9 7/8 (251)	8 (203)	
12	2060 (972)	15 1/2 (394)	20 (508)	17 1/2 (445)	3 3/8 (86)	5 1/2 (140)	11 7/8 (302)	10 (254)	
14	2800 (1321)	15 1/2 (394)	24 (610)	18 (457)	3 3/8 (86)	7 1/2 (191)	13 7/8 (352)	12 (305)	