

MODEL

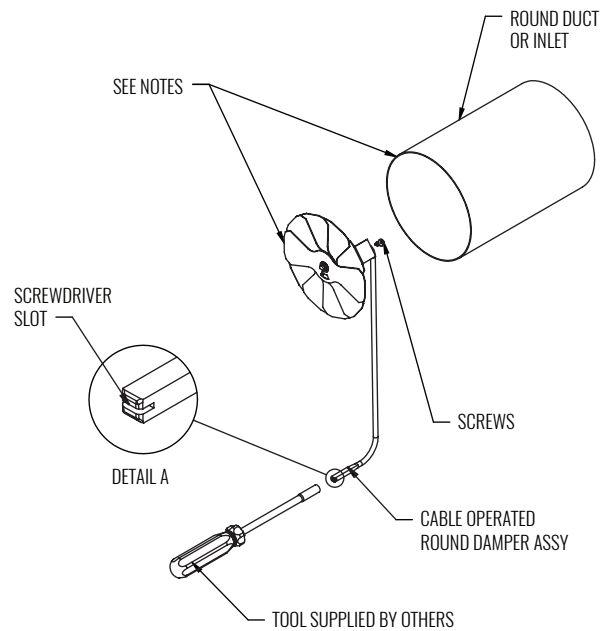
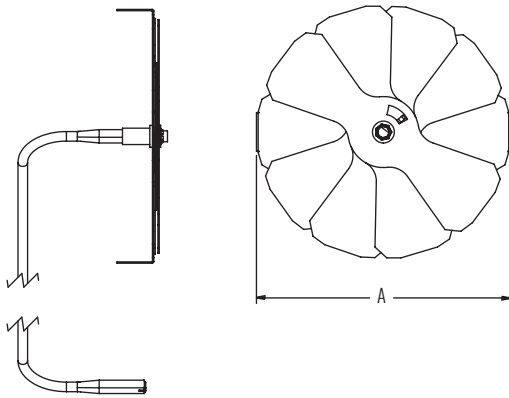
COD - Cable Operated Damper, Round Construction

FEATURES

- Damper is adjusted via 1/4" diameter galvanized rotary cable actuation using a nut driver.
- Cable is routed inside the ductwork and terminated at the diffuser face
- No wall or ceiling penetrations are required
- Cable minimum turn radius = 4"
- Operating temperature limits = -40° to 240°F
- Maximum recommend velocity = 1600 FPM



DIMENSIONAL DATA



AVAILABLE SIZES	
SIZE	A
6"	5 3/4" (146)
8"	7 3/4" (197)
10"	9 3/4" (248)
12"	11 3/4" (298)

CABLE LENGTHS
24" (610)
36" (914)
48" (1219)
60" (1524)
72" (1829)
96" (2438)

NOTES: Dimensions in parentheses are mm.

NOTE: Cable lengths greater than 24" require field installation of a cable coupler and cable extension.