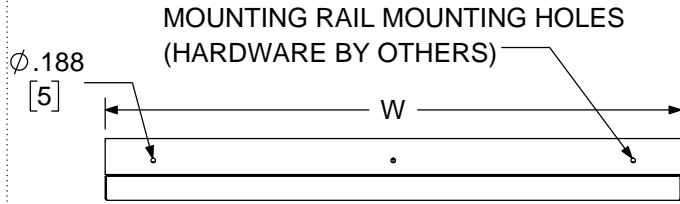


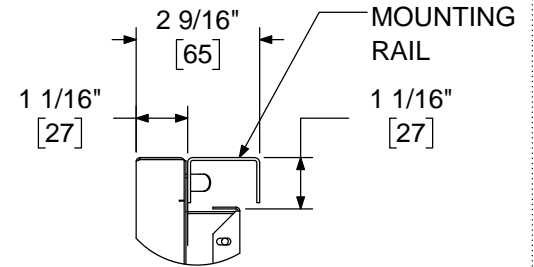
**AFR**

**RECESSED DISPLACEMENT VENTILATION**

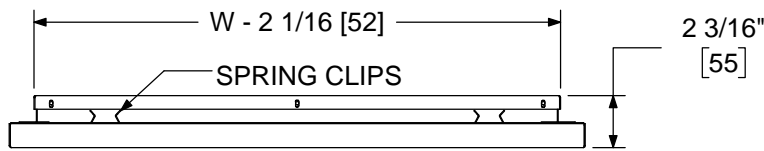
**SUBMITTAL SHEET**



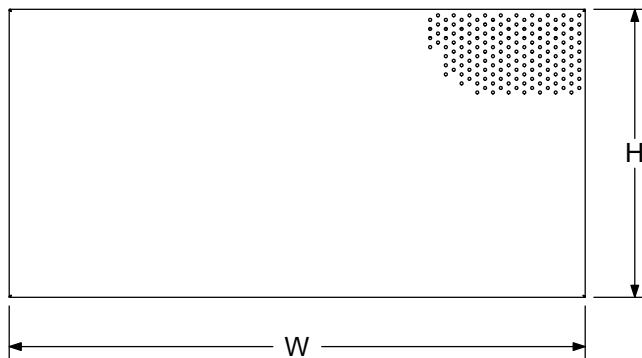
TOP VIEW  
MOUNTING RAIL OPTION



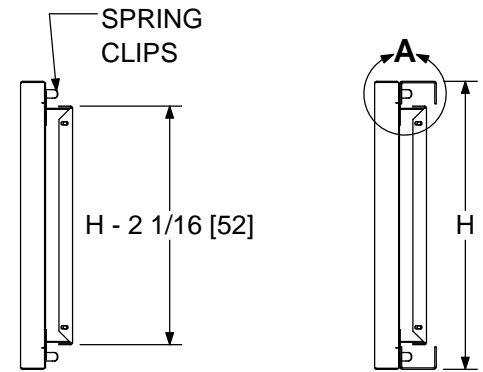
DETAIL A  
MOUNTING RAIL OPTION



TOP VIEW



FRONT VIEW



SIDE VIEW

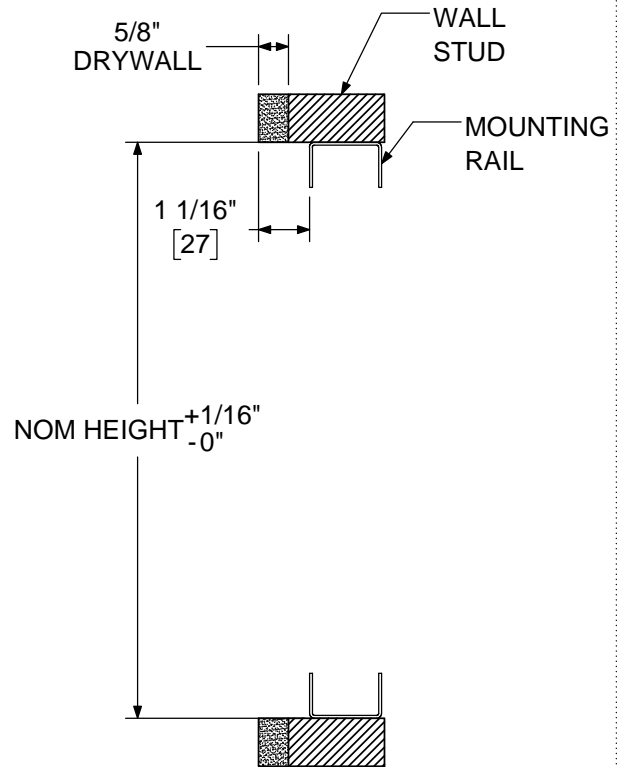
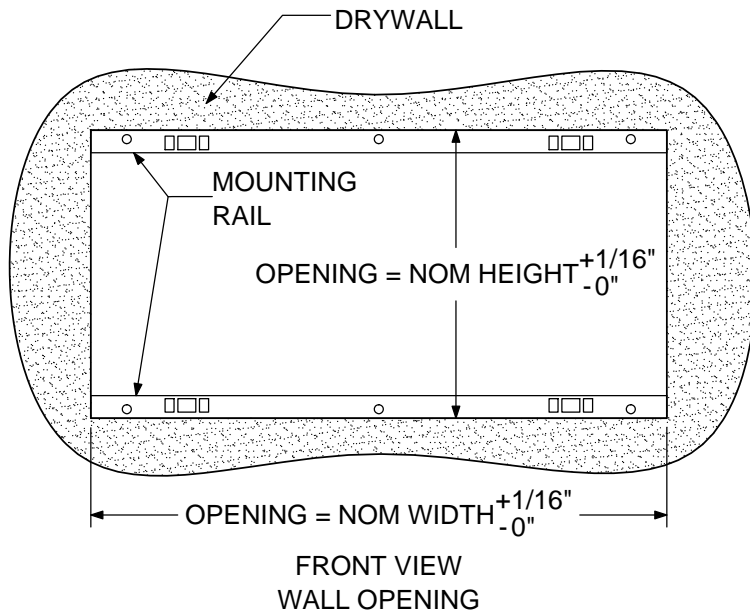
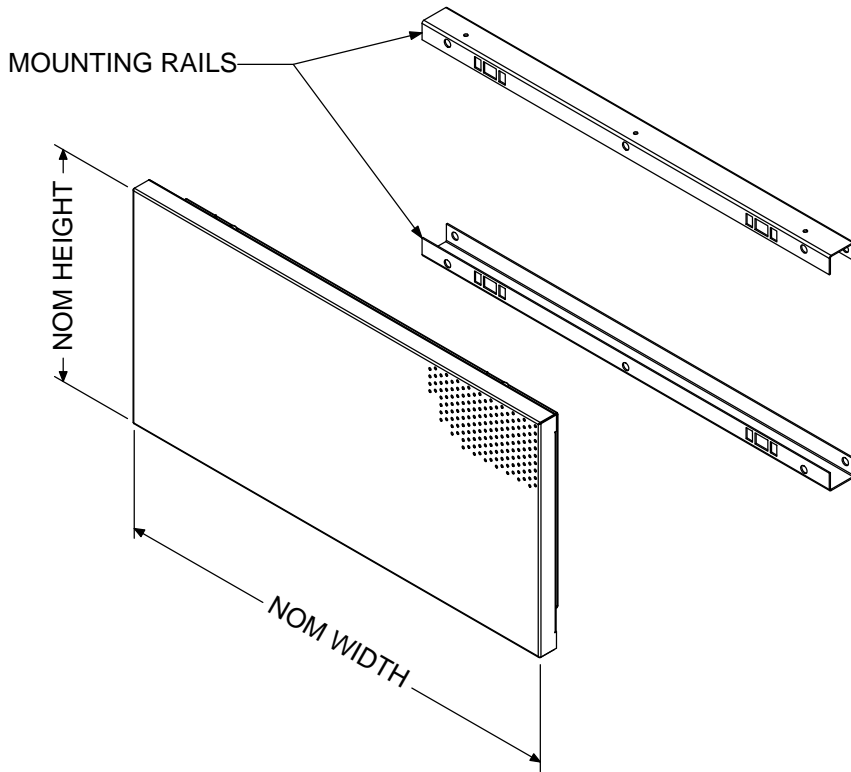
SIDE VIEW  
MOUNTING RAIL OPTION

STANDARD FEATURES:

- 20 GA. construction
- 10% free area perforated face and baffle
- Horizontal low velocity discharge at floor level
- Easy integration into wall structure
- Detachable panel enables cleaning of the unit and duct work
- Spring clips included
- Sizes available in 1" increments
- Minimum width (W) = 8"
- Maximum width (W) = 48"
- Minimum height (H) = 4"
- Maximum height (H) = 24"

OPTIONAL FEATURES:

- Finish \_\_\_\_\_
- Material
  - Steel
  - Stainless Steel
- Front Panel Thickness
  - 20 GA.
  - 16 GA.
- Mounting Rail
  - None (Face Only)
  - Mounting Rail (Long edge only)



**DETAIL B**  
**MOUNTING RAIL INSTALLATION**

**INSTALLATION STEPS:**

- Opening in wall shall be same dimensions as unit width and height
- Install mounting rails in opening using mounting rail mounting holes (fasteners by others); locate front flange 1-1/16" from face of wall (see detail b)
- Insert unit into wall opening such that the clips engage the mounting rails