

INTRODUCTION

EGCX egg crate return grilles are designed to fit common commercial applications where the architect requires a completely sightproof return grille without bars on the face. The EGCX offers a 1/2"x1/2"x1" sight-proof aluminum cube core and 1 1/4" flange. Its unique cube core design allows for a sightproof grille regardless of mounting orientation or patron position relative to grille.

MODELS

EGCX - Completely sightproof egg-crate return grille

FEATURES

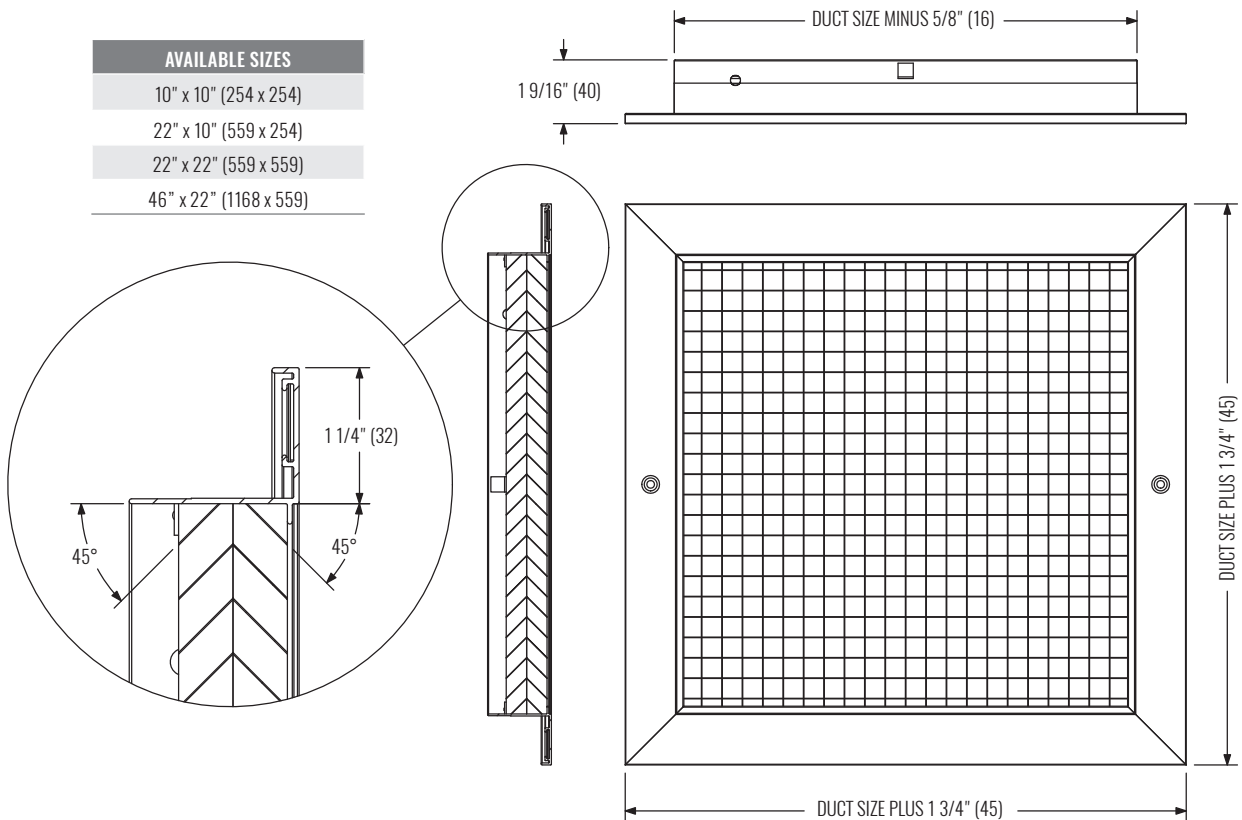
- 1/2"x1/2"x1" sightproof aluminum cube core
- 1 1/4" flange
- Standard finish is #44 British White
- Optional finishes available

ACCESSORIES

- Aluminum plaster frame (model 58PF)
- Insect or debris screens
- Square to round adapter (model SRAC325, ordered separately)

DIMENSIONAL DATA

AVAILABLE SIZES
10" x 10" (254 x 254)
22" x 10" (559 x 254)
22" x 22" (559 x 559)
46" x 22" (1168 x 559)



NOTE: Dimensions in parentheses are mm.

FACE, SIDE, AND CROSS SECTION VIEWS