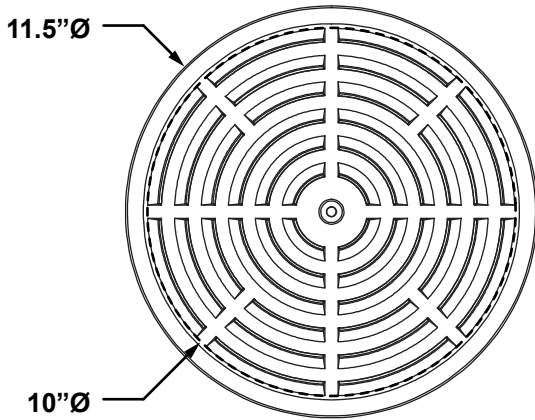
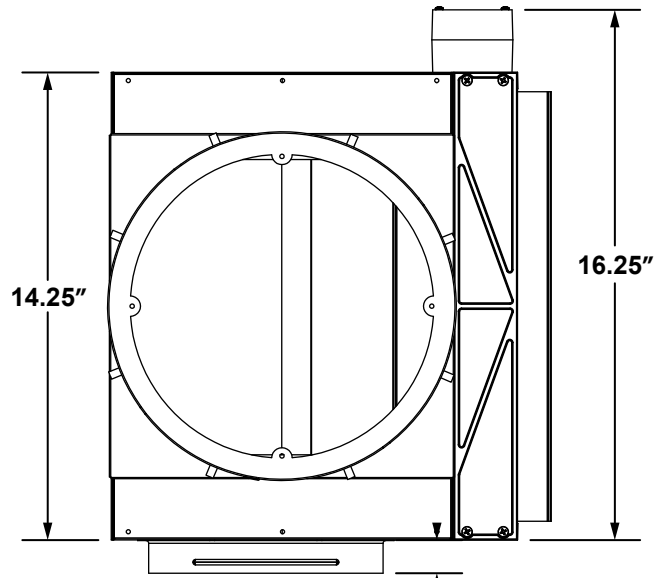
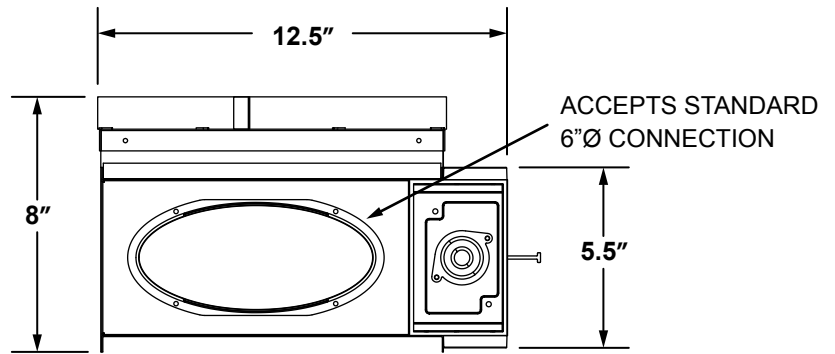


FDD-H
10" Round Floor Diffuser w/ VAV Inlet & Duct Connection
SUBMITTAL SHEET

Face View

Plenum Top View 1.5"

Side View
STANDARD FEATURES:

- Cast aluminum diffuser face
- Displacement air pattern
- 1250 lbs. maximum load rating
- Complies with NFPA 90a
- Manual air flow adjustment with sliding damper plate
- DC synchronized magnetic motor
- Welded and riveted pre-painted galvanized steel
- Multi-function circuit board for varying control strategies
- Tight shut-off
- One (1) PAP-1 cable provided with the unit

STANDARD COLOR OPTIONS:

- A - Black (RAL 9011)
- B - Gray (RAL 7012)
- C - Antique Copper (09/90180)
- D - Silver Hammertone (09/90250)
- E - Antique Gray (09-90170)
- F - Putty (RAL 9002)
- G - Beige (RAL 1019)
- H - Antique Gold (09/90200)
- I - Antique Silver (09/90190)
- J - Dark Brown (RAL 8014)
- X - Custom (RAL _____)

INSTALLATION:

- Minimum Access Floor Depth: 8"
- Required tile cutout opening: 10.6875" Ø

Revision Date: 05-15

Form: TUS55-100-H00-0

Replaces: New

Product Information is Subject to Change Without Notice