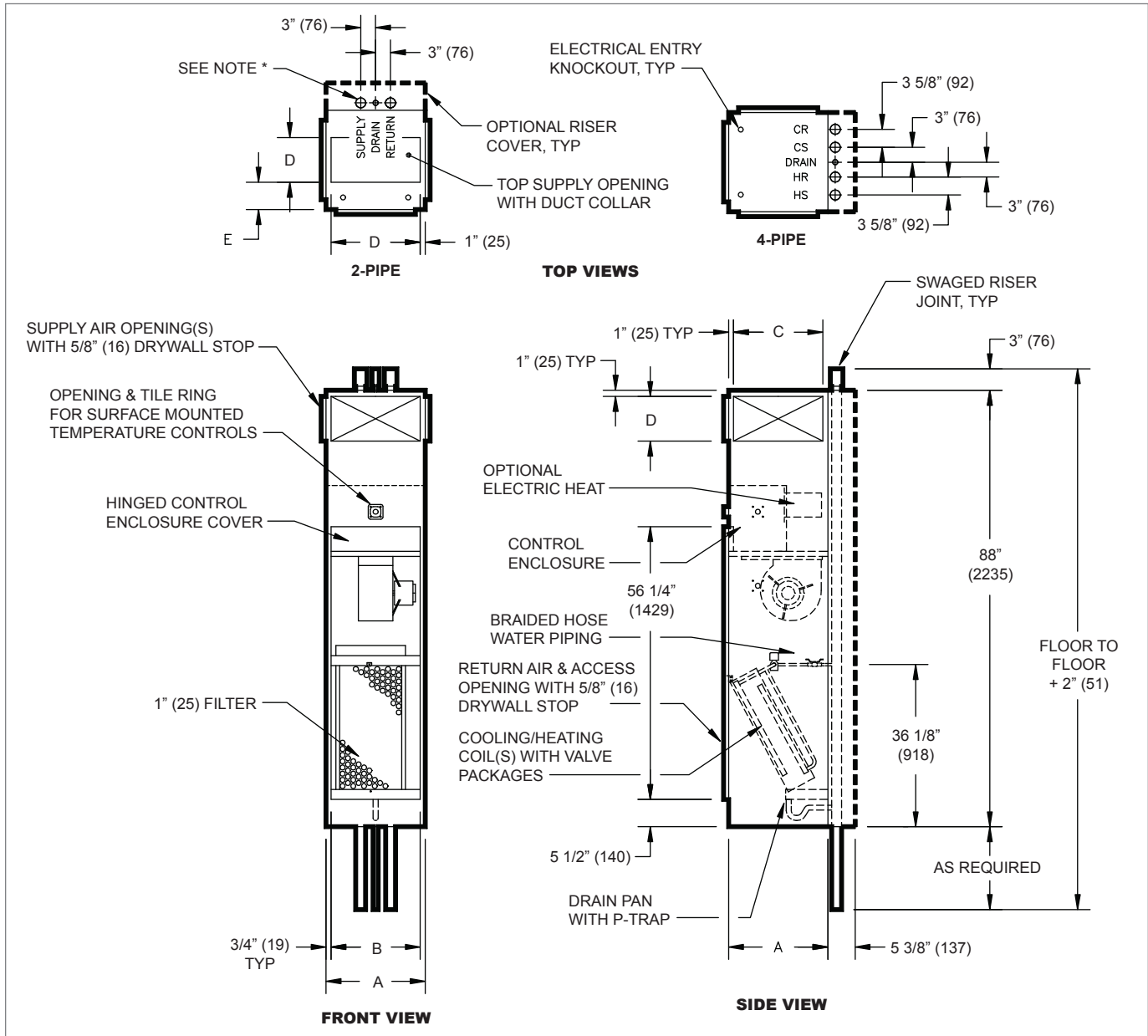


KVPH Dimensional Information

KVPH TOP AND SIDE VIEWS



DIMENSIONAL REFERENCES

Unit Size	A	B	Single Supply		E
			C	D	
03 - 04	18" (457)	16 1/2" (419)	16" (406)	8" (203)	6" (152)
06 - 08	20" (508)	18 1/2" (470)	18" (457)	12" (305)	6" (152)
10 - 12	24" (610)	22 1/2" (572)	22" (559)	14" (356)	8" (203)

NOTES: All dimensions are in inches (millimeters) and are +/- 1/4" (6mm). Tile ring is installed on front of unit as shown, and may be moved to left or right side of unit in field. Wiring from electrical entry point to control enclosure is furnished and installed by others in field. Risers available from 3/4" (19mm) to 3" (76mm) diameter with 1/2" (13mm) thick insulation, and 3/4" (19mm) to 2 1/2" (64mm) diameter with 3/4" (19mm) thick insulation. Riser length is 120" (3048mm) max., 100" (2540mm) min. Factory mounted risers shown. Risers may also ship in advance of unit. See riser drawings for details.

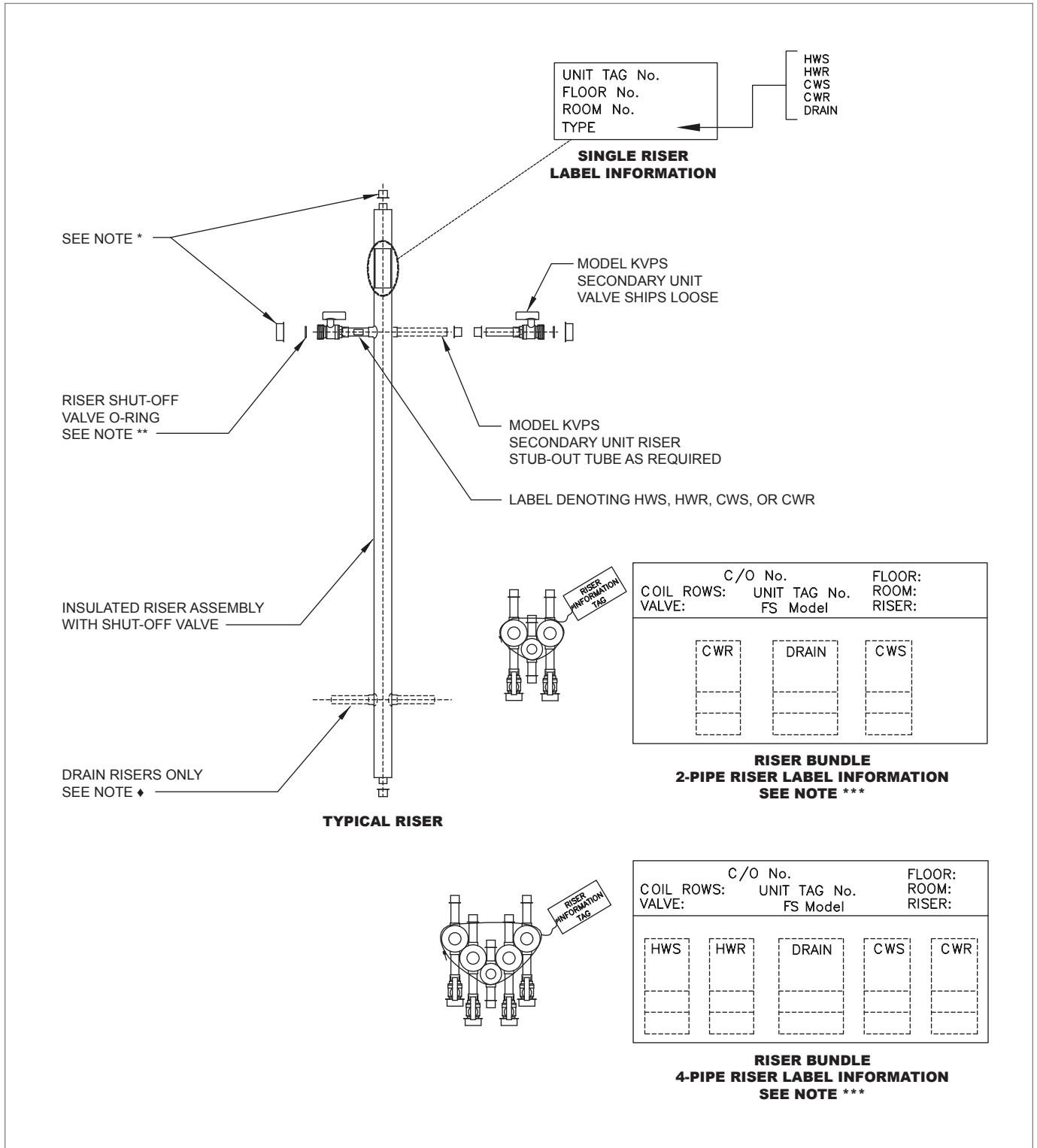
* Back riser location shown. See arrangement drawings for available unit configurations.

FAN COILS

KVP SERIES

KVP Series Riser Dimensional Information

KVP RISER ASSEMBLY



NOTES: All risers are factory tested, and guaranteed to be leak free at time of shipment.

* All risers and valves are shipped with protective caps. These caps should remain in place until installation of the unit.

** Each valve is supplied with an O-ring that is bagged and shipped loose for field installation by others.

*** Riser information shown shall reflect matching unit identification labels. KVPS secondary units will have mirror image orientation and will be labeled in units.

◆ Condensate P-trap and hose clamps ship installed in unit for field connections to drain riser.

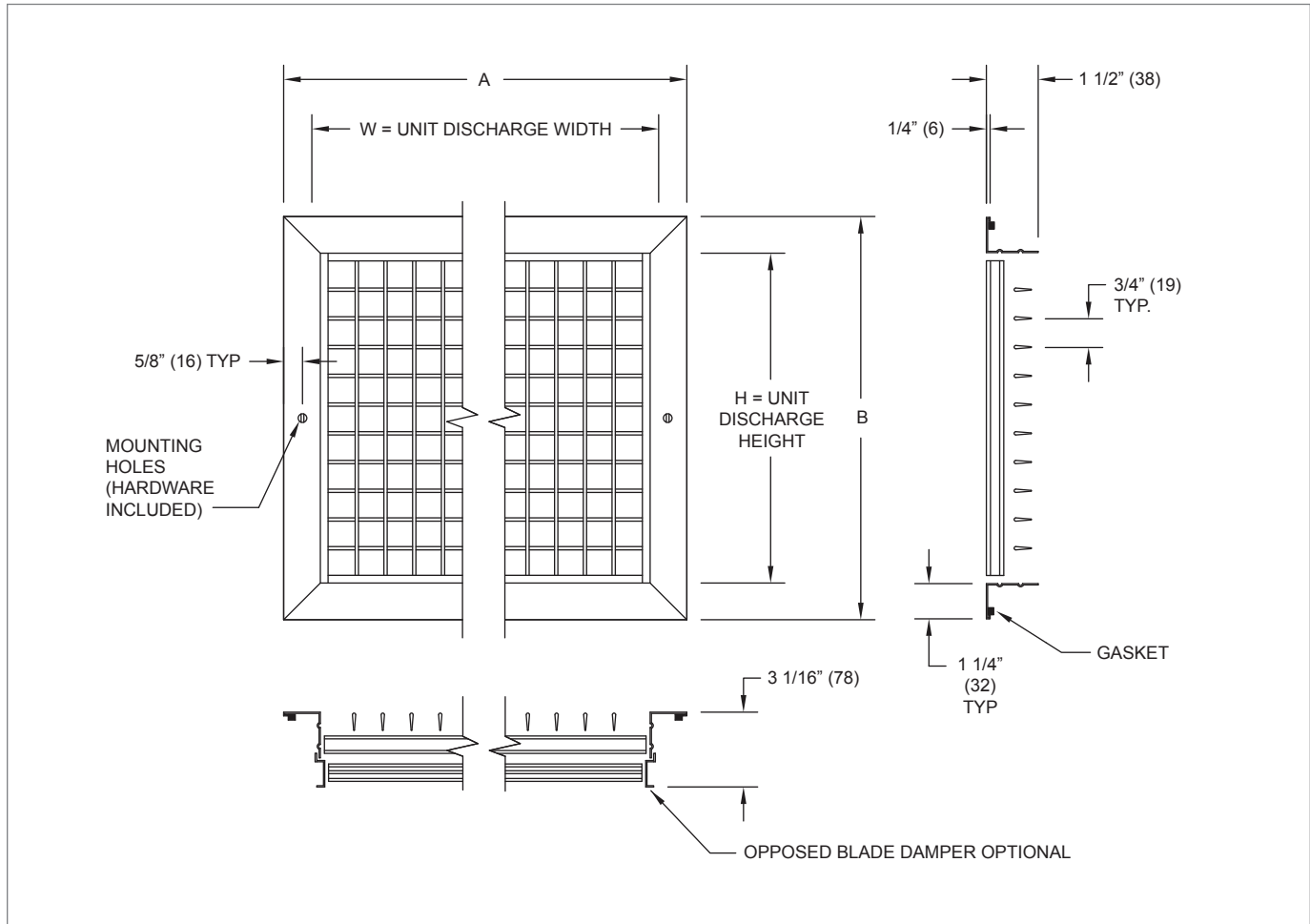
© KRUEGER 2012

FAN COILS

KVP - SERIES

KVP Series Double Deflection Grille Dimensional Information

KVP SERIES DOUBLE DEFLECTION GRILLE TOP AND SIDE VIEWS



DIMENSIONAL REFERENCES

Model Type	Unit Size	Cabinet Height	Single & Double Supply			
			W	H	A	B
Vertical Hi-Rise & Tandem Primary & Secondary Same Size Units	03 or 04	Standard	16" (406)	8" (203)	17 11/16" (449)	9 11/16" (246)
	06 or 08	Standard	18" (457)	12" (305)	19 11/16" (500)	13 11/16" (348)
	10 or 12	Standard	22" (559)	14" (356)	23 11/16" (602)	15 11/16" (398)

Model Type	Unit Size	Cabinet Height	Single & Double Supply			
			W	H	A	B
Tandem Primary & Secondary Up-sized Units	03 or 04 mated to 06 or 08	Standard	18" (457)	12" (305)	19 11/16" (500)	13 11/16" (348)
	03 or 04 mated to 10 or 12	Standard	22" (559)	14" (356)	23 11/16" (602)	15 11/16" (398)
	06 or 08 mated to 10 or 12	Standard	22" (559)	14" (356)	23 11/16" (602)	15 11/16" (398)

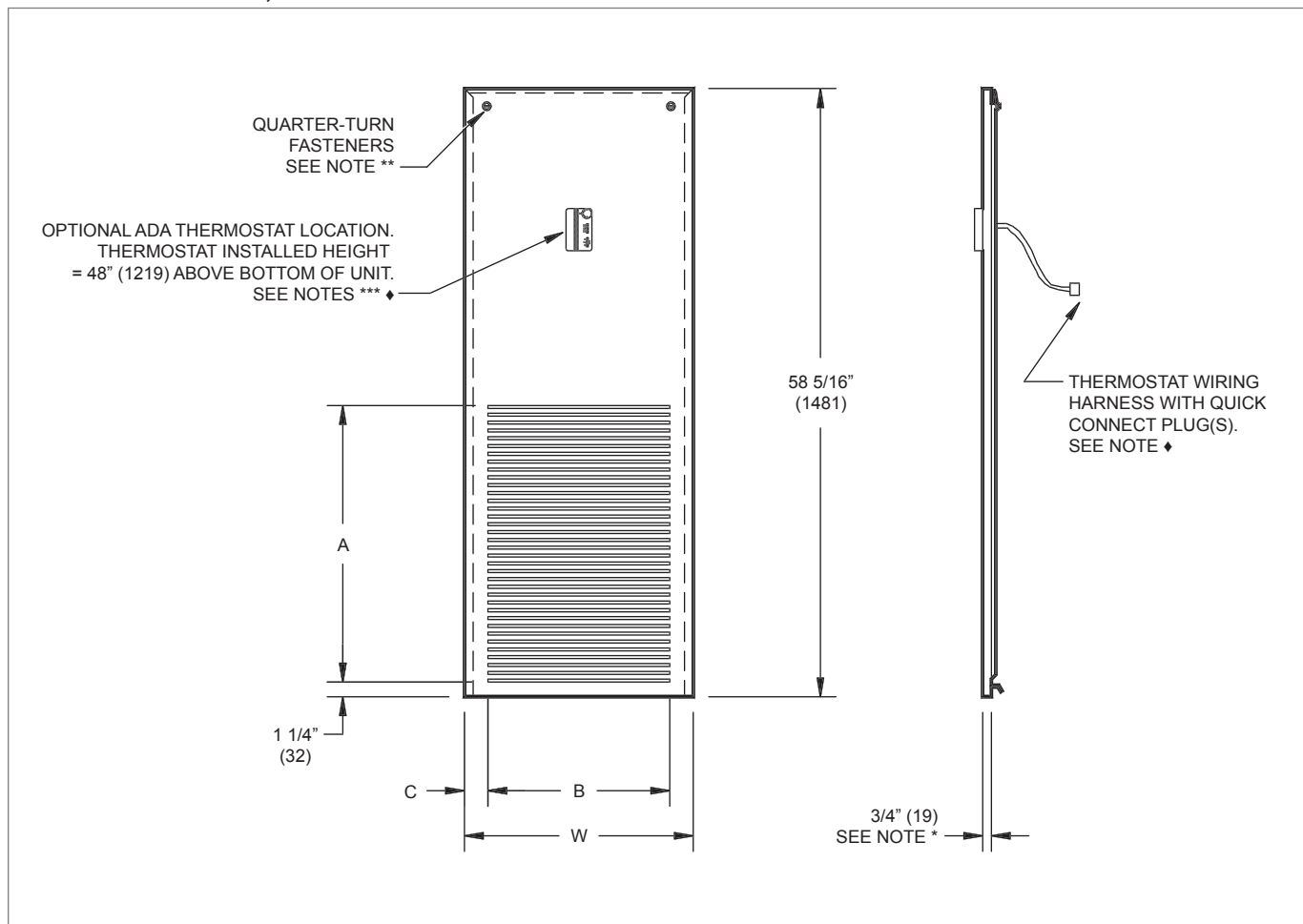
NOTES: All dimensions are in inches (millimeters) and are +/- 1/4" (6mm). Discharge grilles are shipped loose for field installation. Construction is roll formed aluminum frame and blades. Standard finish is powder coat baked enamel. Color is "Pearl White Satin". Installation of grilles on adjacent unit sides may require furring one side away from unit to prevent interference of frames.

FAN COILS

KVP SERIES

KVP Series Return Air Panel Dimensional Information

KVP SERIES STAMPED, LOUVERED FRONT RETURN AIR PANEL FRONT AND SIDE VIEWS



STANDARD SIZE DIMENSIONAL REFERENCES

Unit Size	W	A	B	C
03 - 04	17 1/2" (445)	24 1/8" (613)	15" (381)	1 1/4" (32)
06 - 08	19 1/2" (495)	24 1/8" (613)	15" (381)	2 1/4" (57)
10 - 12	23 1/2" (597)	28 1/2" (724)	21" (533)	1 1/4" (32)

UP-SIZED DIMENSIONAL REFERENCES

Unit Size	W	A	B	C
0306 - 0408	19 1/2" (495)	24 1/8" (613)	15" (381)	2 1/4" (57)
0310 - 0412	23 1/2" (597)	24 1/8" (613)	21" (533)	1 1/4" (32)
0610 - 0812	23 1/2" (597)	24 1/8" (613)	21" (533)	1 1/4" (32)

NOTES: All dimensions are in inches (millimeters) and are +/- 1/4" (6mm). Standard finish is powder coat baked enamel. Color is Pearl White Satin. Sizes shown for "Up-sized" cabinet units used in Tandem Primary and Secondary pairs.

- * Installed wall panels extend approximately 3/4" (19mm) from finished wall surface.
- ** Mounting hardware is shipped loose for field installation.
- *** ADA Thermostat: Actual installed height is determined by unit installation method and may vary.
- ♦ ADA Thermostat is shipped loose for field installation by others.