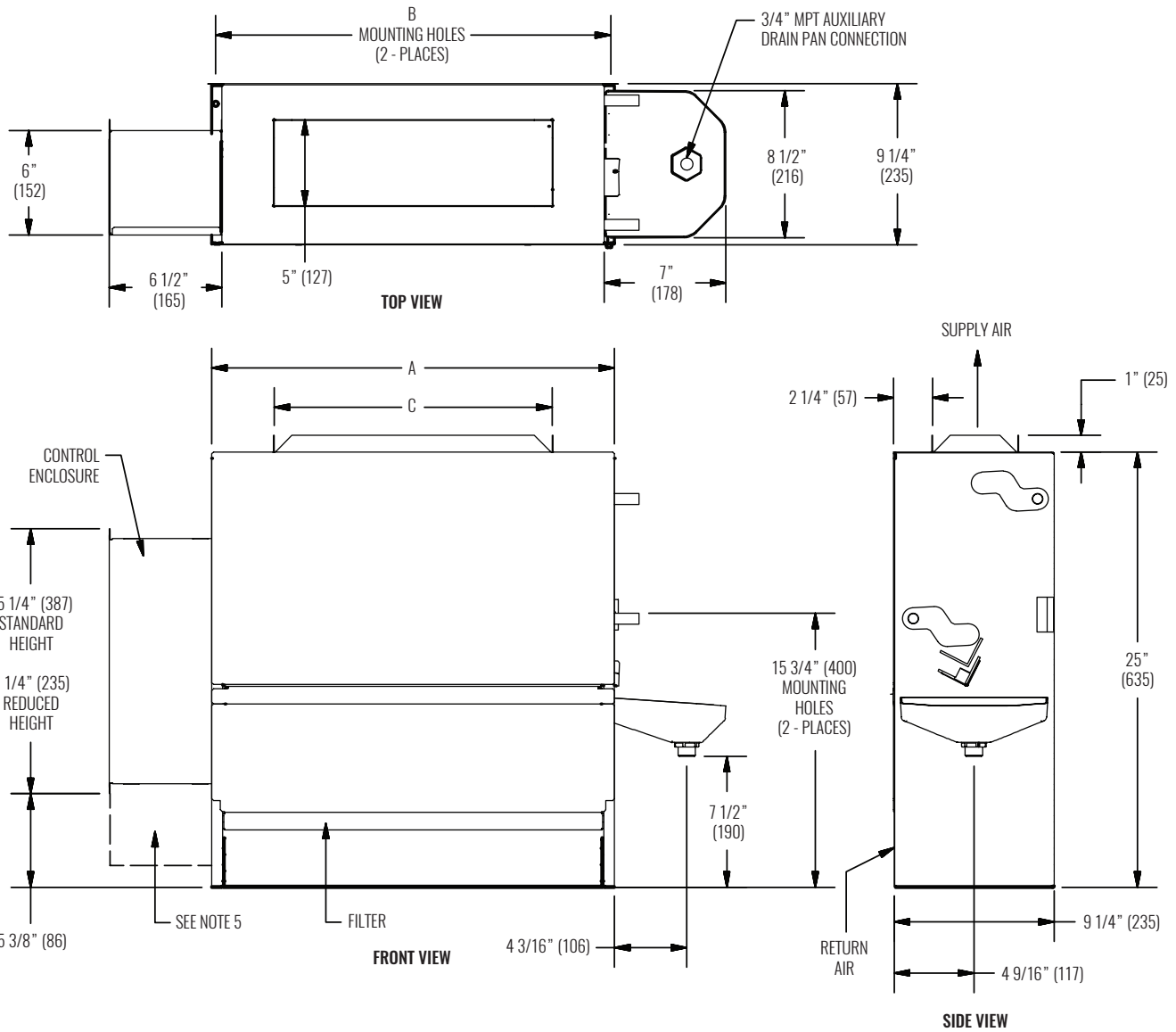


KVF SERIES

Vertical | Standard



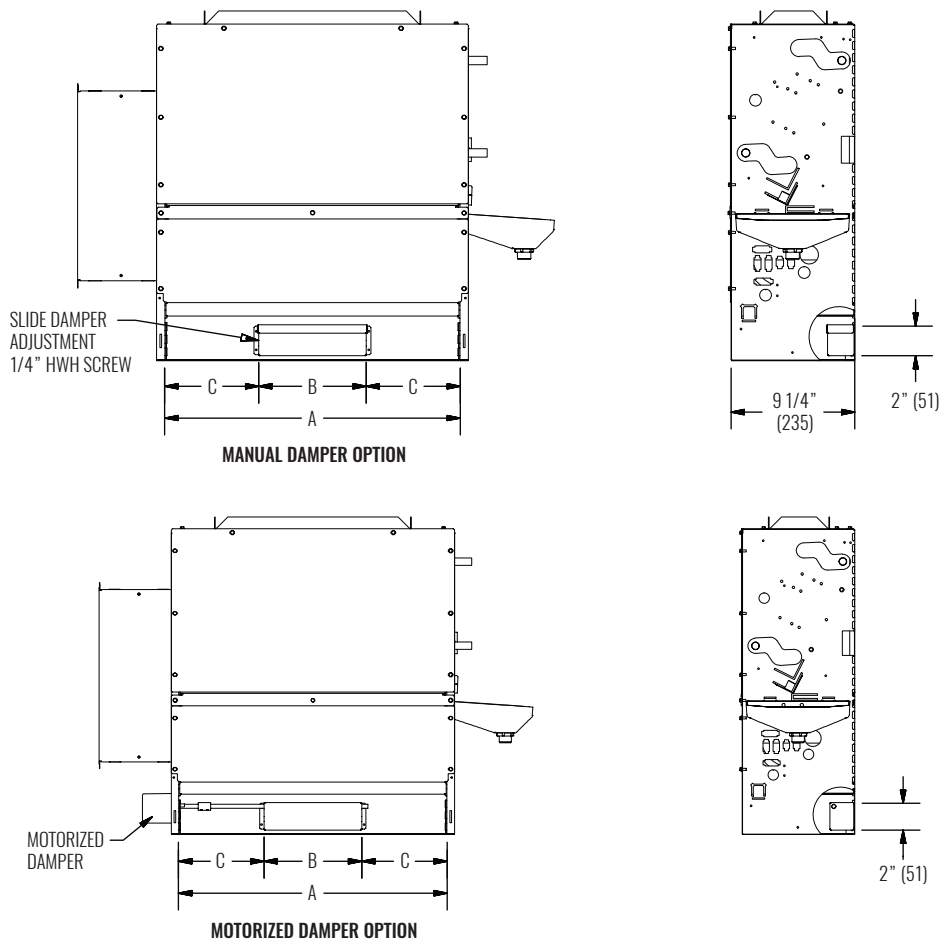
DIMENSIONAL DATA | KVFH



UNIT SIZE	A	B	C
02	23 3/16" (589)	22 3/4" (578)	16" (406)
03	27 3/16" (691)	26 3/4" (679)	20" (508)
04	33 3/16" (843)	32 3/4" (832)	26" (660)
06	43 3/16" (1097)	42 3/4" (1086)	36" (914)
08	45 3/16" (1148)	44 3/4" (1137)	38" (965)
10	59 3/16" (1503)	58 3/4" (1492)	52" (1320)
12	67 3/16" (1707)	66 3/4" (1695)	60" (1524)

NOTES: All dimensions are in inches (millimeters) and are +/- 1/4" (6mm). Junction box size and location varies with unit features. Control options may be limited. Provide sufficient clearance to access electrical controls and comply with applicable codes and ordinances. Reduced height control enclosure is standard with opposite end coils. Right-hand coil connection shown. Left-hand unit is similar, but opposite. Some piping package options may require extended drain pans. Size 2 and 3 with 208/230VAC or 277VAC have a 3 5/8" (92) extended control enclosure.

DIMENSIONAL DATA | OUTSIDE AIR DAMPERS



UNIT SIZE	A	B	C
02	22" (559)	8" (203)	7" (178)
03	26" (660)	10" (254)	8" (203)
04	32" (813)	12" (305)	10" (254)
06	42" (1067)	14" (356)	14" (356)
08	44" (1118)	18" (457)	13" (330)
10	58" (1473)	27" (686)	15 1/2" (394)
12	66" (1676)	27" (686)	19 1/2" (495)

NOTES: All dimensions are in inches (millimeters) and are +/- 1/4" (6). Model KVFH shown; typical for models KVFF and KVFS. Right-hand unit shown; left-hand unit is similar, but opposite. The standard damper options may not provide freeze protection under all conditions and applications. Other forms of freeze protection may be required.

FAN COIL UNITS | VERTICAL, STANDARD

KVF SERIES

KVF SERIES

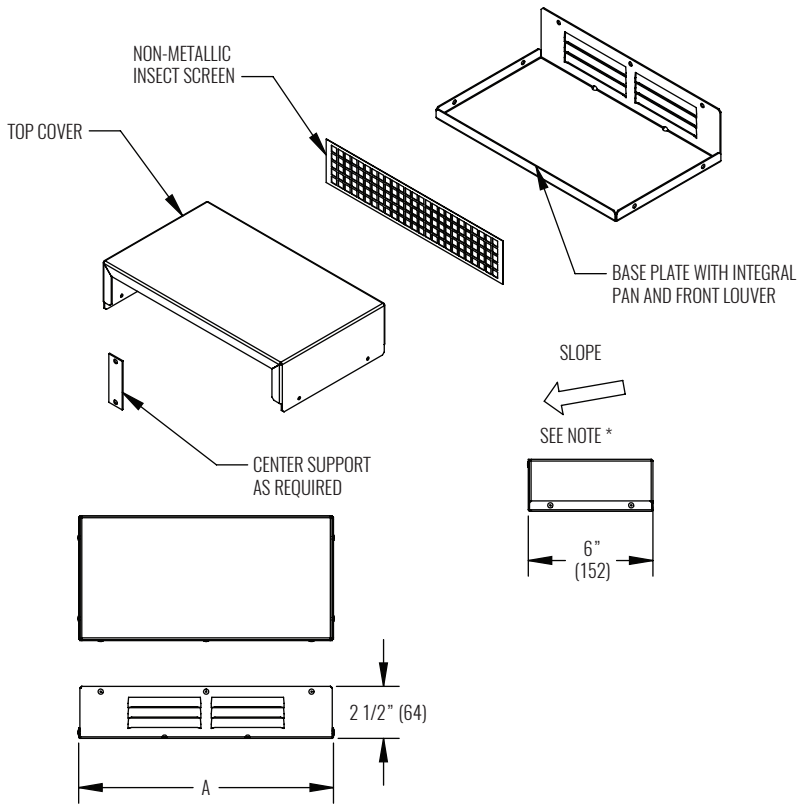
Vertical | Standard



FAN COIL UNITS | VERTICAL, STANDARD

KVF SERIES

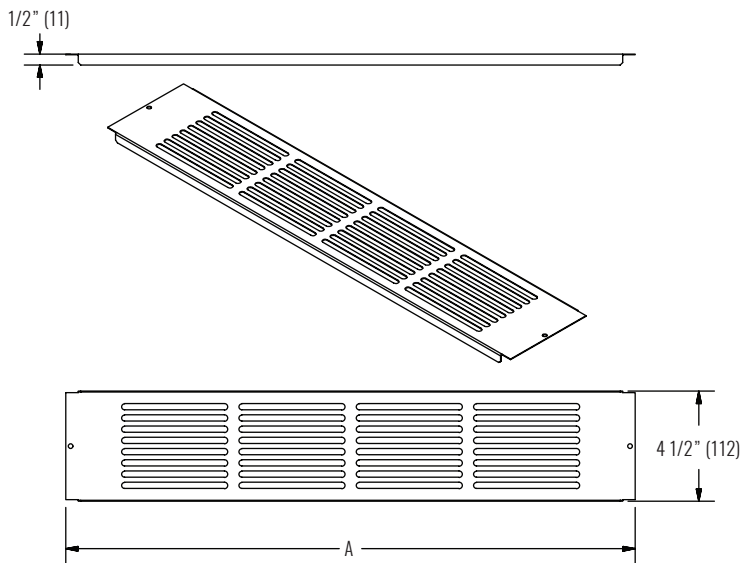
DIMENSIONAL DATA | WALL BOX



UNIT SIZE	A
02	8 1/4" (203)
03	10 1/4" (260)
04	12 1/4" (311)
06	14 1/4" (362)
08	18 1/4" (464)
10	27 1/4" (692)
12	27 1/4" (692)

NOTES: All dimensions are in inches (millimeters) and are +/- 1/4" (6). Material is .050" aluminum. Wall box should be installed pitched slightly toward exterior surface of wall. "Weep" holes should not be obstructed when sealing box to the wall.

DIMENSIONAL DATA | RETURN AIR TOE KICK



UNIT SIZE	PART NUMBER	A
02	51-00437-01	22 3/4" (578)
03	51-00437-02	26 3/4" (679)
04	51-00437-03	32 3/4" (832)
06	51-00437-04	42 3/4" (1086)
08	51-00437-05	44 3/4" (1137)
10	51-00437-06	58 3/4" (1792)
12	51-00437-07	66 3/4" (1695)

NOTES: All dimensions are in inches (millimeters) and are +/- 1/4" (6). Typical for KVFF or KVFS models. Return grille is held in place with sheet metal screws.