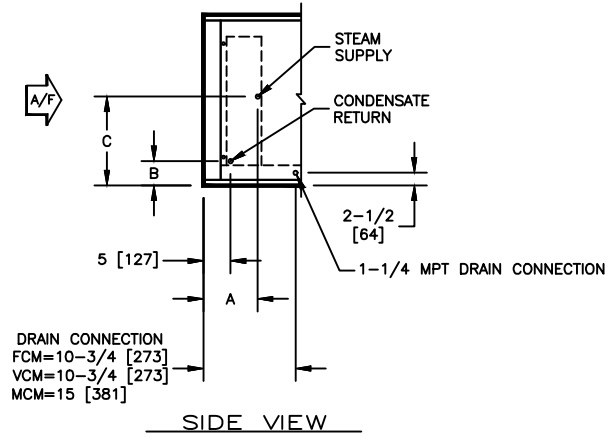


KBM - AIR HANDLER, MODULAR
 COIL CONNECTION LOCATION - SINGLE STEAM COIL

SUBMITTAL SHEET


SIZE	1 ROW			2 ROW		
	A	B	C	A	B	C
02	7-1/4 [185]	4-3/4 [121]	11-3/4 [298]	7 [178]	5 [127]	11-3/4 [298]
03	7-1/4 [185]	5 [127]	11-3/4 [298]	7 [178]	5 [127]	11-3/4 [298]
04	7-1/4 [185]	5-1/4 [133]	11-3/4 [298]	7 [178]	5-1/4 [133]	11-3/4 [298]
06	7-1/4 [185]	5-1/4 [133]	15-1/2 [394]	7 [178]	5-1/2 [140]	15-1/2 [394]
08	7-1/4 [185]	6-3/4 [171]	18 [457]	7 [178]	5-3/4 [146]	18 [457]
10	7-1/4 [185]	6-1/2 [165]	18 [457]	7 [178]	6-1/2 [165]	18 [457]
12	7-1/4 [185]	7-1/4 [185]	20-1/2 [521]	7 [178]	7-1/4 [184]	20-1/2 [521]
14	7-1/4 [185]	7-1/4 [185]	21-3/4 [552]	7 [178]	7-1/4 [184]	21-3/4 [552]
17	7-1/4 [185]	7-1/2 [191]	21-3/4 [552]	7 [178]	7-1/2 [191]	21-3/4 [552]

NOTES:

1. ALL DIMENSIONS ARE INCHES [MM]
2. ALL DIMENSIONS ARE ±1/8" [3]
3. METRIC VALUES ARE SOFT CONVERSION
4. SEE SELECTION PROGRAM FOR CONNECTION SIZES
5. STEAM COILS ARE NON-DISTRIBUTING AND ARE ONLY AVAILABLE IN 1 & 2 ROWS
6. MODULE SCM CAN HAVE UP TO 2 ROWS OF A SINGLE STEAM COIL AND NO DRAIN CONNECTION
7. MODULES FCM AND VCM CAN HAVE UP TO A TOTAL OF 8 ROWS OF COIL
8. MODULE MCM CAN HAVE UP TO A TOTAL OF 10 ROWS OF COIL

Revision Date: 12/14	Form: AHMS05-WC24	Replaces: NEW
----------------------	-------------------	---------------