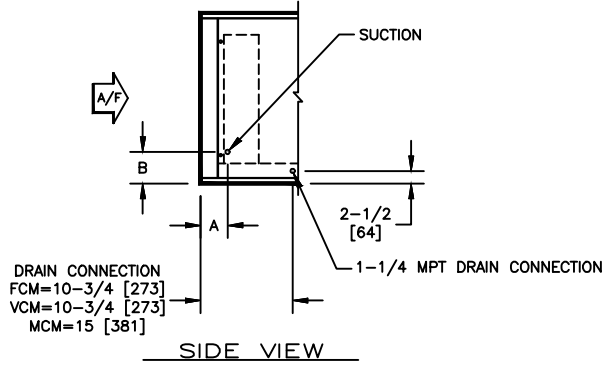


KBM - AIR HANDLER, MODULAR
 COIL CONNECTION LOCATION - SINGLE DX COIL

SUBMITTAL SHEET


SIZE	3 ROW		4 ROW		6 ROW		8 ROW	
	A	B	A	B	A	B	A	B
02	6 [153]	6-1/4 [159]	6 [153]	16-3/4 [425]	5-1/2 [140]	6-1/4 [159]	5-1/2 [140]	16-3/4 [425]
03	6 [153]	6-1/4 [159]	6 [153]	16-3/4 [425]	5-1/2 [140]	6-1/4 [159]	5-1/2 [140]	16-3/4 [425]
04	6 [153]	6-1/2 [165]	6 [153]	17 [432]	5-1/2 [140]	6-1/2 [165]	5-1/2 [140]	17 [432]
06	6 [153]	6-1/2 [165]	6 [153]	24-1/2 [622]	5-1/2 [140]	6-1/2 [165]	5-1/2 [140]	24-1/2 [622]
08	6 [153]	6-3/4 [171]	6 [153]	29-3/4 [756]	5-1/2 [140]	6-3/4 [171]	5-1/2 [140]	29-3/4 [756]
10	6 [153]	7-1/4 [185]	6 [153]	29-1/2 [749]	5-1/2 [140]	7-1/4 [185]	5-1/2 [140]	29-1/2 [749]
12	6 [153]	7-1/4 [185]	6 [153]	35-1/4 [895]	5-1/2 [140]	7-1/4 [185]	5-1/2 [140]	35-1/4 [895]
14	6 [153]	7-1/4 [185]	6 [153]	37-3/4 [959]	5-1/2 [140]	7-1/4 [185]	5-1/2 [140]	37-3/4 [959]
17	6 [153]	7-1/2 [191]	6 [153]	38 [965]	5-1/2 [140]	7-1/2 [191]	5-1/2 [140]	38 [965]

NOTES:

- ALL DIMENSIONS ARE INCHES [MM]
- ALL DIMENSIONS ARE ±1/8" [3]
- METRIC VALUES ARE SOFT CONVERSION
- LIQUID LINE CONNECTION IS LOCATED INSIDE OF CABINET; FIELD PENETRATION OF CABINET IS REQUIRED
- SEE SELECTION PROGRAM FOR CONNECTION SIZES
- DX COILS ARE ONLY AVAILABLE IN 3, 4, 6, OR 8 ROWS
- MODULES FCM AND VCM CAN HAVE UP TO A TOTAL OF 8 ROWS OF COIL
- MODULE MCM CAN HAVE UP TO A TOTAL OF 10 ROWS OF COIL

Revision Date: 12/14	Form: AHMS05-WC13	Replaces: NEW
----------------------	-------------------	---------------