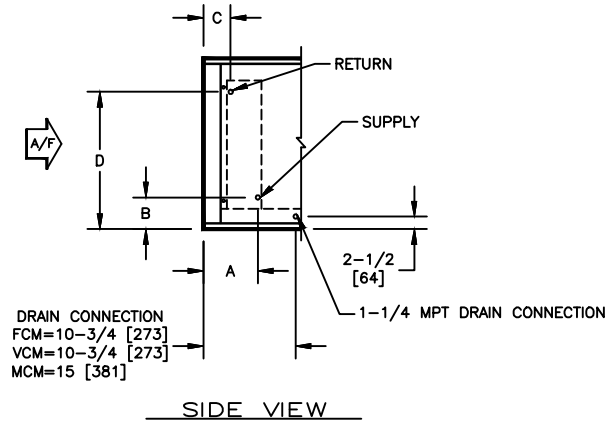


**KBM - AIR HANDLER, MODULAR**  
 COIL CONNECTION LOCATION - SINGLE WATER COIL

**SUBMITTAL SHEET**


SIZE	1 ROW				2 ROW				3 ROW				4 ROW				6 ROW				8 ROW			
	A	B	C	D	A	B	C	D	A	B	C	D	A	B	C	D	A	B	C	D	A	B	C	D
02	7-1/4 [185]	6-1/4 [159]	5 [127]	16-3/4 [425]	7 [178]	6-1/4 [159]	5 [127]	16-3/4 [425]	8 [204]	6-1/4 [159]	5-3/4 [146]	16-3/4 [425]	9 [229]	6-1/4 [159]	6 [152]	16-3/4 [425]	9-3/4 [248]	6-1/4 [159]	6-1/4 [159]	16-3/4 [425]	11-3/4 [299]	6-1/4 [159]	6-1/4 [159]	16-3/4 [425]
03	7-1/4 [185]	6-1/4 [159]	5 [127]	16-3/4 [425]	7 [178]	6-1/4 [159]	5 [127]	16-3/4 [425]	8 [204]	6-1/4 [159]	5-3/4 [146]	16-3/4 [425]	9 [229]	6-1/4 [159]	6 [152]	16-3/4 [425]	9-3/4 [248]	6-1/4 [159]	6-1/4 [159]	16-3/4 [425]	11-3/4 [299]	6-1/4 [159]	6-1/4 [159]	16-3/4 [425]
04	7-1/4 [185]	6-1/2 [165]	5 [127]	17 [432]	7 [178]	6-1/2 [165]	5 [127]	17 [432]	8 [204]	6-1/2 [165]	5-3/4 [146]	17 [432]	9 [229]	6-1/2 [165]	6 [152]	17 [432]	9-3/4 [248]	6-1/2 [165]	6-1/4 [159]	17 [432]	11-3/4 [299]	6-1/2 [165]	6-1/4 [159]	17 [432]
06	7-1/4 [185]	6-1/2 [165]	5 [127]	24-1/2 [622]	7 [178]	6-1/2 [165]	5 [127]	24-1/2 [622]	8 [204]	6-1/2 [165]	5-3/4 [146]	24-1/2 [622]	9 [229]	6-1/2 [165]	6 [152]	24-1/2 [622]	9-3/4 [248]	6-1/2 [165]	6-1/4 [159]	24-1/2 [622]	11-3/4 [299]	6-1/2 [165]	6-1/4 [159]	24-1/2 [622]
08	7-1/4 [185]	6-3/4 [171]	5 [127]	29-3/4 [756]	7 [178]	6-3/4 [171]	5 [127]	29-3/4 [756]	8 [204]	6-3/4 [171]	5-3/4 [146]	29-3/4 [756]	9 [229]	6-3/4 [171]	6 [152]	29-3/4 [756]	9-3/4 [248]	6-3/4 [171]	6-1/4 [159]	29-3/4 [756]	11-3/4 [299]	6-3/4 [171]	6-1/4 [159]	29-3/4 [756]
10	7-1/4 [185]	7-1/4 [185]	5 [127]	29-1/2 [749]	7 [178]	7-1/4 [185]	5 [127]	29-1/2 [749]	8 [204]	7-1/4 [185]	5-3/4 [146]	29-1/2 [749]	9 [229]	7-1/4 [185]	6 [152]	29-1/2 [749]	9-3/4 [248]	7-1/4 [185]	6-1/4 [159]	29-1/2 [749]	11-3/4 [299]	7-1/4 [185]	6-1/4 [159]	29-1/2 [749]
12	7-1/4 [185]	7-1/4 [185]	5 [127]	35-1/4 [895]	7 [178]	7-1/4 [185]	5 [127]	35-1/4 [895]	8 [204]	7-1/4 [185]	5-3/4 [146]	35-1/4 [895]	9 [229]	7-1/4 [185]	6 [152]	35-1/4 [895]	9-3/4 [248]	7-1/4 [185]	6-1/4 [159]	35-1/4 [895]	11-3/4 [299]	7-1/4 [185]	6-1/4 [159]	35-1/4 [895]
14	7-1/4 [185]	7-1/4 [185]	5 [127]	37-3/4 [959]	7 [178]	7-1/4 [185]	5 [127]	37-3/4 [959]	8 [204]	7-1/4 [185]	5-3/4 [146]	37-3/4 [959]	9 [229]	7-1/4 [185]	6 [152]	37-3/4 [959]	9-3/4 [248]	7-1/4 [185]	6-1/4 [159]	37-3/4 [959]	11-3/4 [299]	7-1/4 [185]	6-1/4 [159]	37-3/4 [959]
17	7-1/4 [185]	7-1/2 [191]	5 [127]	38 [965]	7 [178]	7-1/2 [191]	5 [127]	38 [965]	8 [204]	7-1/2 [191]	5-3/4 [146]	38 [965]	9 [229]	7-1/2 [191]	6 [152]	38 [965]	9-3/4 [248]	7-1/2 [191]	6-1/4 [159]	38 [965]	11-3/4 [299]	7-1/2 [191]	6-1/4 [159]	38 [965]

## NOTES:

1. ALL DIMENSIONS ARE INCHES [MM]
2. ALL DIMENSIONS ARE ±1/8" [3]
3. METRIC VALUES ARE SOFT CONVERSION
4. SEE SELECTION PROGRAM FOR CONNECTION SIZES
5. CHILLED WATER COILS ARE ONLY AVAILABLE IN 4, 6, OR 8 ROWS
6. HOT WATER COILS ARE ONLY AVAILABLE IN 1, 2, 3, OR 4 ROWS
7. MODULE SCM CAN HAVE UP TO 4 ROWS OF A SINGLE HEATING COIL AND NO DRAIN CONNECTION
8. MODULES FCM AND VCM CAN HAVE UP TO A TOTAL OF 8 ROWS OF COIL
9. MODULE MCM CAN HAVE UP TO A TOTAL OF 10 ROWS OF COIL

Revision Date:	12/14	Form:	AHMS05-WC05	Replaces:	NEW
----------------	-------	-------	-------------	-----------	-----