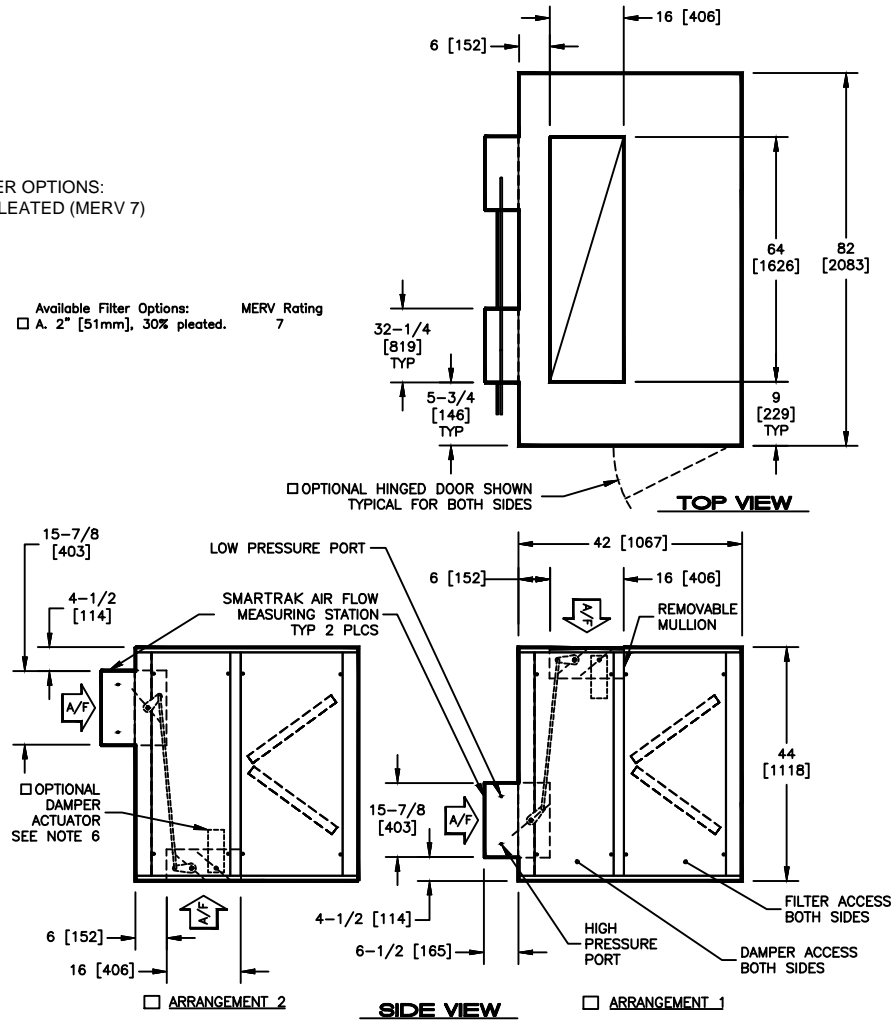


KBM - AIR HANDLER, MODULAR
 LFM - LARGE SMARTRAK MIXING BOX WITH V-BANK FILTERS, SIZE 17

SUBMITTAL SHEET

 AVAILABLE FILTER OPTIONS:
 2" [51mm], 30% PLEATED (MERV 7)

 Available Filter Options: MERV Rating
 A. 2" [51mm], 30% pleated. 7


ACCESS PANEL		WEIGHT		FILTER SIZES
DAMPER H X W	FILTER H X W	SINGLE WALL LBS (kg)	DOUBLE WALL LBS (kg)	
42 X 12 [1067 X 305]	42 X 21-1/2 [1067 X 546]	350 [159]	470 [214]	(12) 20 X 20 [508 X 508]

NOTES:

- ALL DIMENSIONS ARE INCHES [MM]
- ALL DIMENSIONS ARE ±1/8" [3]
- METRIC VALUES ARE SOFT CONVERSION
- ALL DRAWINGS SUBJECT TO CHANGE WITHOUT PRIOR NOTICE
- DAMPER LINKAGE IS FACTORY PROVIDED AND INSTALLED
- OPTIONAL DAMPER ACTUATOR WILL BE LOCATED ON THE INSIDE OF MODULE ON THE SAME SIDE AS THE CONTROL ENCLOSURE
- RIGHT HAND UNIT SHOWN
- OPTIONAL HINGED DOOR IS REMOVABLE, BUT MUST BE OPENED 90 DEGREES FOR REMOVAL
- HIGH PRESSURE PORT AND LOW PRESSURE PORT TUBING WILL BE RUN TO THE SAME SIDE OF THE MODULE AS THE MOTOR SHEAVE

Revision Date: 12/14	Form: AHMS03-MB10	Replaces: NEW
----------------------	-------------------	---------------