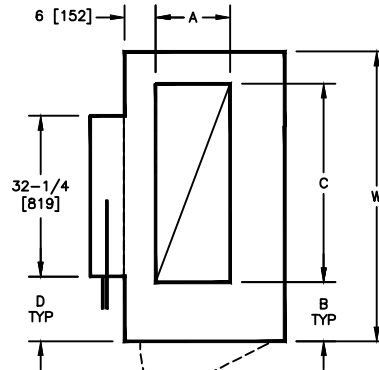
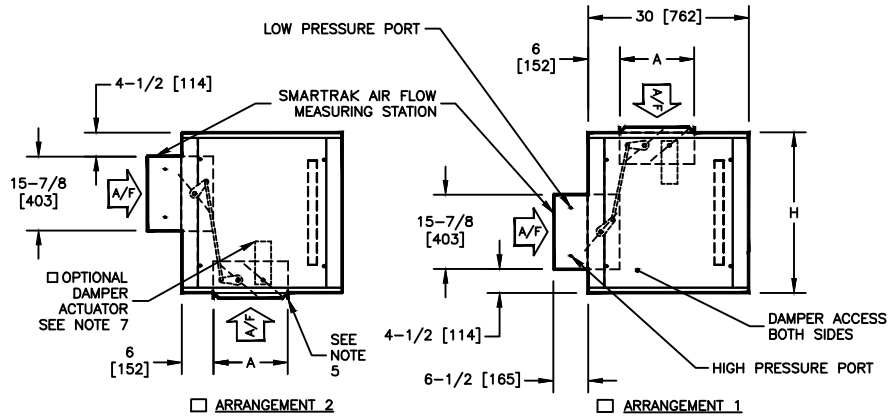


KBM - AIR HANDLER, MODULAR

MFM - MEDIUM SMARTRAK MIXING BOX WITH FLAT FILTERS, SIZES 10-12

SUBMITTAL SHEET

 AVAILABLE FILTER OPTIONS:
 2" [51mm], 30% PLEATED (MERV 7)

 OPTIONAL HINGED DOOR SHOWN
 TYPICAL FOR BOTH SIDES

TOP VIEW

SIDE VIEW

SIZE	H	W	A	B	C	D	ACCESS PANEL H X W	WEIGHT		FILTER SIZES
								SINGLE WALL LBS (kg)	DOUBLE WALL LBS (kg)	
10	34	58	14	7	44	12-7/8	32 X 24	220	260	(1) 16 X 25 (2) 20 X 25 [406 X 635] [508 X 635]
	[864]	[1473]	[356]	[178]	[1118]	[327]	[813 X 610]	[95]	[118]	
12	44	66	16	10	46	16-7/8	42 X 24	265	325	(4) 20 X 25 [508 X 635]
	[1118]	[1676]	[406]	[254]	[1168]	[429]	[1067 X 610]	[120]	[147]	

NOTES:

- ALL DIMENSIONS ARE INCHES [MM]
- ALL DIMENSIONS ARE $\pm 1/8"$ [3]
- METRIC VALUES ARE SOFT CONVERSION
- ALL DRAWINGS SUBJECT TO CHANGE WITHOUT PRIOR NOTICE
- DUCT COLLARS ARE 1" [25] ALL AROUND
- DAMPER LINKAGE IS FACTORY PROVIDED AND INSTALLED
- OPTIONAL DAMPER ACTUATOR WILL BE LOCATED ON THE INSIDE OF MODULE ON THE SAME SIDE AS THE CONTROL ENCLOSURE
- RIGHT HAND UNIT SHOWN
- OPTIONAL HINGED DOOR IS REMOVABLE, BUT MUST BE OPENED 90 DEGREES FOR REMOVAL
- HIGH PRESSURE PORT AND LOW PRESSURE PORT TUBING WILL BE RUN TO THE SAME SIDE OF THE MODULE AS THE MOTOR SHEAVE

Revision Date: 11/14	Form: AHMS03-MB03	Replaces: NEW
----------------------	-------------------	---------------