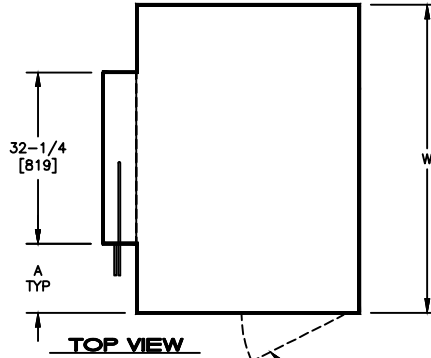


KBM - AIR HANDLER, MODULAR

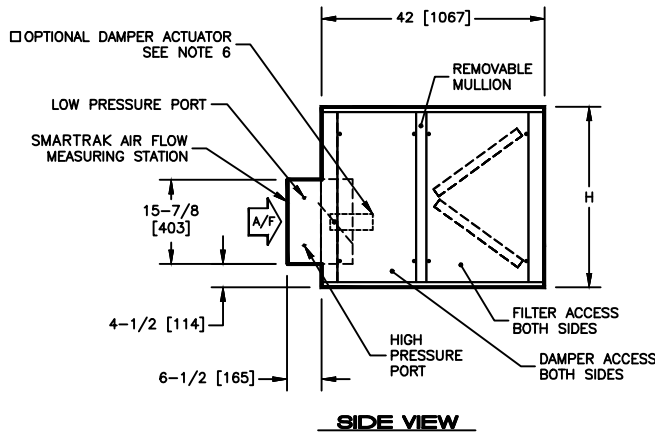
LIM - LARGE SMARTRAK INLET PLENUM WITH V-BANK FILTERS, SIZES 10-12

SUBMITTAL SHEET

AVAILABLE FILTER OPTIONS:
 2" [51mm], 30% PLEATED (MERV 7)



TOP VIEW
 OPTIONAL HINGED DOOR SHOWN
 TYPICAL FOR BOTH SIDES



SIDE VIEW

SIZE	H	W	A	ACCESS PANEL		WEIGHT		FILTER SIZES
				DAMPER H X W	FILTER H X W	SINGLE WALL LBS [kg]	DOUBLE WALL LBS [kg]	
10	34	58	12-7/8	32 X 12	32 X 21-1/2	235	315	(2) 16 X 20 (4) 20 X 20
	[864]	[1473]	[327]	[813 X 305]	[813 X 546]	[107]	[143]	[406 X 508] [508 X 508]
12	44	66	16-7/8	42 X 12	42 X 21-1/2	280	380	(6) 20 X 25
	[1118]	[1676]	[429]	[1067 X 305]	[1067 X 546]	[127]	[173]	[508 X 635]

NOTES:

- ALL DIMENSIONS ARE INCHES [MM]
- ALL DIMENSIONS ARE ±1/8" [3]
- METRIC VALUES ARE SOFT CONVERSION
- ALL DRAWINGS SUBJECT TO CHANGE WITHOUT PRIOR NOTICE
- DAMPER IS FACTORY PROVIDED AND INSTALLED AS STANDARD FEATURE
- OPTIONAL DAMPER ACTUATOR WILL BE LOCATED ON THE INSIDE MODULE ON THE SAME SIDE AS THE MOTOR SHEAVE
- RIGHT HAND UNIT SHOWN
- OPTIONAL HINGED DOOR IS REMOVABLE, BUT MUST BE OPENED 90 DEGREES FOR REMOVAL
- HIGH PRESSURE PORT AND LOW PRESSURE PORT TUBING WILL BE RUN TO THE SAME SIDE OF MODULE AS THE MOTOR SHEAVE

Revision Date: 11/14	Form: AHMS02-PL08	Replaces: NEW
----------------------	-------------------	---------------