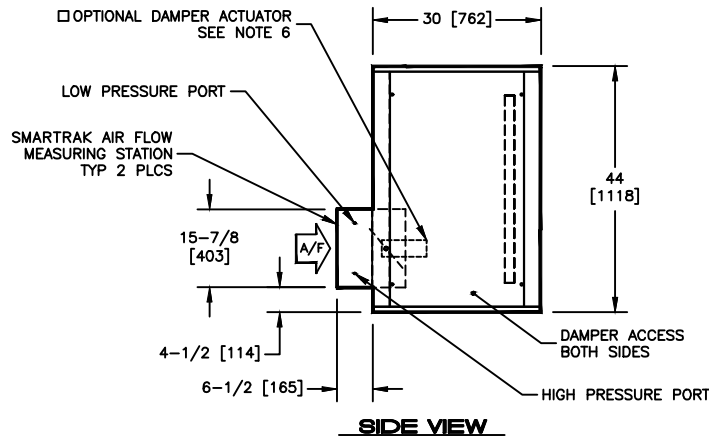
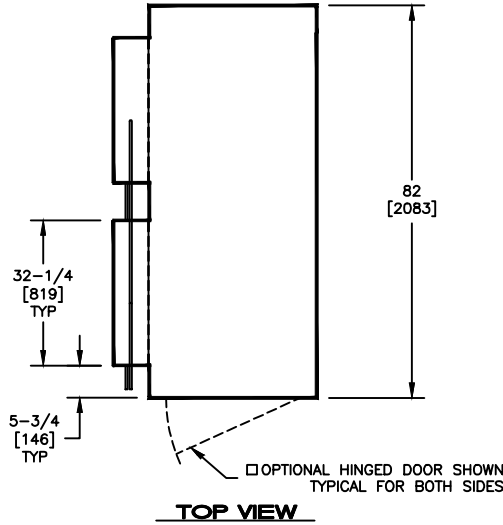


KBM - AIR HANDLER, MODULAR
 MIM - MEDIUM SMARTRAK INLET PLENUM WITH FLAT FILTERS, SIZE 17

SUBMITTAL SHEET

 AVAILABLE FILTER OPTIONS:
 2" [51mm], 30% PLEATED (MERV 7)


ACCESS PANEL H X W	WEIGHT		FILTER SIZES
	SINGLE WALL LBS (kg)	DOUBLE WALL LBS (kg)	
42 X 24 [1067 X 610]	325 [147]	380 [172]	(6) 20 X 25 [508 X 635]

NOTES:

1. ALL DIMENSIONS ARE INCHES [MM]
2. ALL DIMENSIONS ARE ±1/8" [3]
3. METRIC VALUES ARE SOFT CONVERSION
4. ALL DRAWINGS SUBJECT TO CHANGE WITHOUT PRIOR NOTICE
5. DAMPER IS FACTORY PROVIDED AND INSTALLED AS STANDARD FEATURE
6. OPTIONAL DAMPER ACTUATOR WILL BE LOCATED ON THE INSIDE MODULE ON THE SAME SIDE AS THE MOTOR SHEAVE
7. RIGHT HAND UNIT SHOWN
8. OPTIONAL HINGED DOOR IS REMOVABLE, BUT MUST BE OPENED 90 DEGREES FOR REMOVAL
9. HIGH PRESSURE PORT AND LOW PRESSURE PORT TUBING WILL BE RUN TO THE SAME SIDE OF MODULE AS THE MOTOR SHEAVE

Revision Date: 11/14	Form: AHMS02-PL05	Replaces: NEW
----------------------	-------------------	---------------