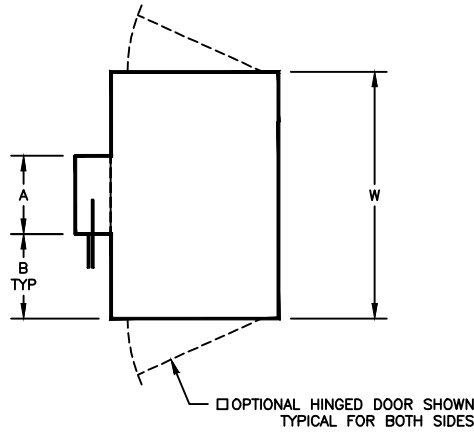
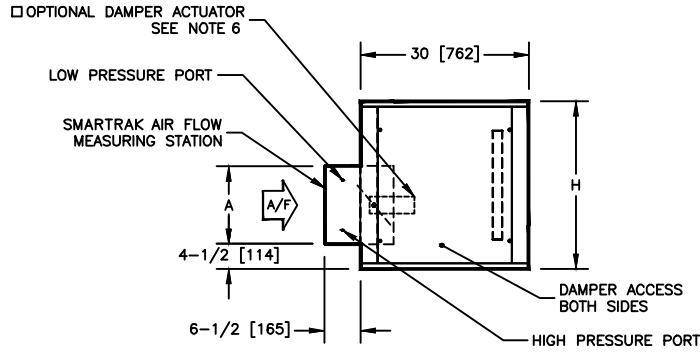


KBM - AIR HANDLER, MODULAR

MIM - MEDIUM SMARTRAK INLET PLENUM WITH FLAT FILTERS, SIZES 02-08

SUBMITTAL SHEET

 AVAILABLE FILTER OPTIONS:
 2" [51mm], 30% PLEATED (MERV 7)

TOP VIEW

SIDE VIEW

SIZE	H	W	A DIAMETER	B	ACCESS PANEL H X W	WEIGHT		FILTER SIZES
						SINGLE WALL LBS (kg)	DOUBLE WALL LBS (kg)	
02	22 [559]	30 [762]	9-7/8 [251]	10-1/16 [256]	20 X 24 [508 X 610]	110 [50]	135 [61]	(1) 16 X 20 [406 X 508]
03	22 [559]	36 [914]	9-7/8 [251]	13-1/16 [332]	20 X 24 [508 X 610]	120 [55]	150 [68]	(1) 16 X 25 [406 X 635]
04	22 [559]	44 [1118]	11-7/8 [302]	16-1/16 [408]	20 X 24 [508 X 610]	136 [62]	171 [78]	(2) 16 X 20 [406 X 508]
06	30 [762]	44 [1118]	13-7/8 [352]	15-1/16 [383]	28 X 24 [711 X 610]	160 [73]	200 [91]	(2) 20 X 25 [508 X 635]
08	34 [864]	48 [1219]	15-7/8 [403]	16-1/16 [408]	32 X 24 [813 X 610]	185 [84]	228 [103]	(2) 20 X 25 [508 X 635]

NOTES:

- ALL DIMENSIONS ARE INCHES [MM]
- ALL DIMENSIONS ARE ±1/8" [3]
- METRIC VALUES ARE SOFT CONVERSION
- ALL DRAWINGS SUBJECT TO CHANGE WITHOUT PRIOR NOTICE
- DAMPER IS FACTORY PROVIDED AND INSTALLED AS STANDARD FEATURE
- OPTIONAL DAMPER ACTUATOR WILL BE LOCATED ON THE INSIDE MODULE ON THE SAME SIDE AS THE MOTOR SHEAVE
- RIGHT HAND UNIT SHOWN
- OPTIONAL HINGED DOOR IS REMOVABLE, BUT MUST BE OPENED 90 DEGREES FOR REMOVAL
- HIGH PRESSURE PORT AND LOW PRESSURE PORT TUBING WILL BE RUN TO THE SAME SIDE OF MODULE AS THE MOTOR SHEAVE

Revision Date: 11/14

Form: AHMS02-PL02

Replaces: NEW