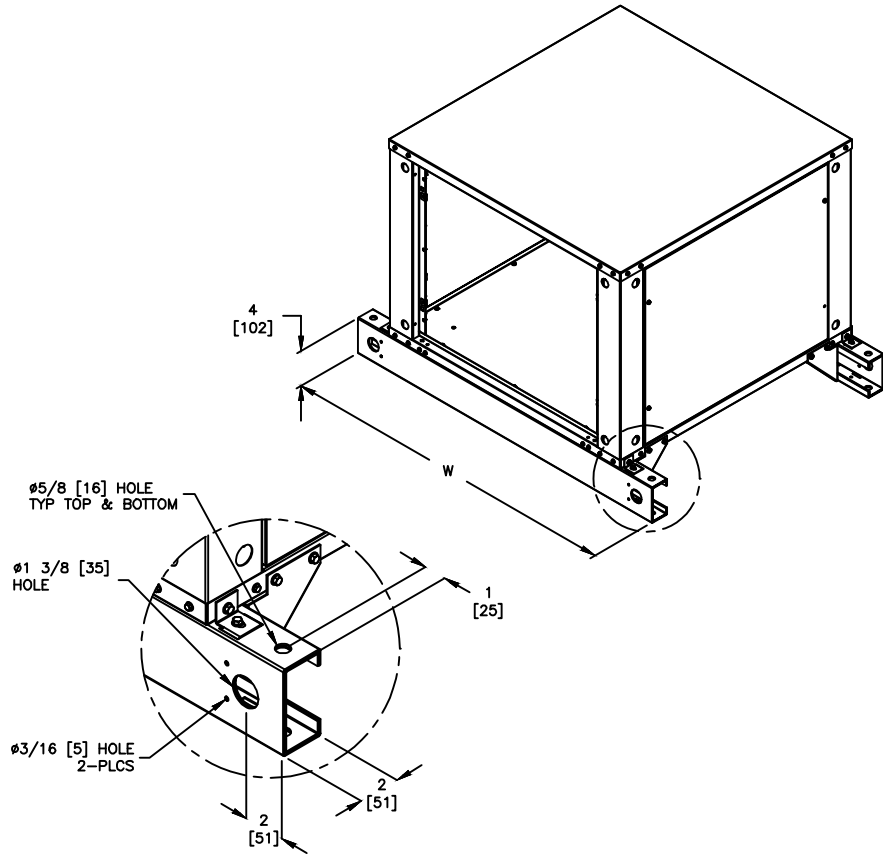


**KBM - AIR HANDLER, MODULAR**  
 4" BASE RAILS

**SUBMITTAL SHEET**



SIZE	W	WEIGHT LBS [kg]
02	38 [965]	20 [9]
03	44 [1118]	22 [10]
04	52 [1321]	24 [11]
06	52 [1321]	24 [11]
08	56 [1422]	26 [12]
10	66 [1676]	29 [13]
12	74 [1880]	31 [14]
14	78 [1981]	32 [15]
17	90 [2286]	36 [17]

NOTES:

1. ALL DIMENSIONS ARE INCHES [MM]
2. ALL DIMENSIONS ARE ±1/8" [3]
3. METRIC VALUES ARE SOFT CONVERSION
4. EACH SECTION TYPE RECEIVES ONE BASE RAIL ASSEMBLY AS SHOWN
5. FOR MULTIPLE SECTION ASSEMBLIES, EACH SECTION IS SCREWED TOGETHER; REFER TO IOM
6. ALL WEIGHTS SHOWN ARE FOR BASE RAIL ASSEMBLIES ONLY; INCLUDES MOUNTING HARDWARE

Revision Date: 12/14	Form: AHMS01-KBM05	Replaces: NEW
----------------------	--------------------	---------------