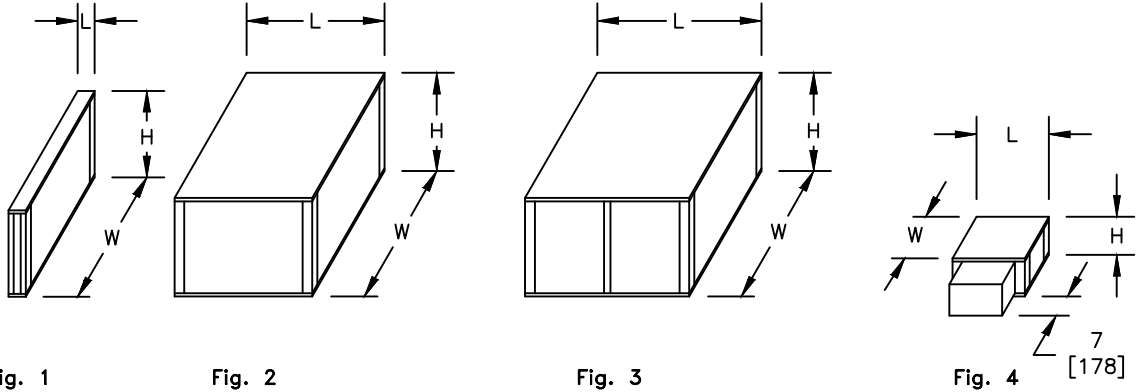


KBM - AIR HANDLER, MODULAR
 MODULAR AIR HANDLER CONFIGURATION

SUBMITTAL SHEET


Upper Deck - C										
Middle Deck - B										
Lower Deck - A										
Position:	1	2	3	4	5	6	7	8	9	10

KBM - MODULE SIZE		DIM.	02	03	04	06	08	10	12	14	17
Fig. 1	EFM External Flat Filters (2")	H - in [mm]	17-3/8 [441]	17-3/8 [441]	17-3/8 [441]	26-3/8 [670]	26-3/8 [670]	26-3/8 [670]	41-3/16 [1046]	41-3/16 [1046]	41-3/16 [1046]
		W - in [mm]	28 [711]	34 [864]	42 [1069]	42 [1069]	46 [1168]	56 [1422]	64 [1626]	68 [1727]	80 [2032]
		L - in [mm]	5-1/4 [133]	5-1/4 [133]	5-1/4 [133]	5-1/4 [133]	5-1/4 [133]	5-1/4 [133]	5-1/4 [133]	5-1/4 [133]	5-1/4 [133]
Fig. 2	SAM Small Access SCM Small Coil SFM Small Flat Filters (2" And/Or 4" Cartridge)	H - in [mm]	22 [559]	22 [559]	22 [559]	30 [762]	34 [864]	34 [864]	44 [1118]	44 [1118]	44 [1118]
		W - in [mm]	30 [762]	36 [914]	44 [1118]	44 [1118]	48 [1219]	58 [1473]	66 [1676]	70 [1778]	82 [2083]
		L - in [mm]	15 [381]	15 [381]	15 [381]	15 [381]	15 [381]	15 [381]	15 [381]	15 [381]	15 [381]
Fig. 2	MAM Medium Access MCM Medium Coil MFM Medium SmarTrak Mixing Box W/ Flat Filters (2") MIM Medium SmarTrak Inlet Plenum W/ Flat Filters (2") MMM Medium Mixing Box W/ Flat Filters (2") MRM Medium Inlet Plenum With Flat Filters (2") MVM Medium V-Bank Filters (2")	H - in [mm]	22 [559]	22 [559]	22 [559]	30 [762]	34 [864]	34 [864]	44 [1118]	44 [1118]	44 [1118]
		W - in [mm]	30 [762]	36 [914]	44 [1118]	44 [1118]	48 [1219]	58 [1473]	66 [1676]	70 [1778]	82 [2083]
		L - in [mm]	30 [762]	30 [762]	30 [762]	30 [762]	30 [762]	30 [762]	30 [762]	30 [762]	
		H - in [mm]	22 [559]	22 [559]	22 [559]	30 [762]	34 [864]	34 [864]	44 [1118]	44 [1118]	44 [1118]
		W - in [mm]	30 [762]	36 [914]	44 [1118]	44 [1118]	48 [1219]	58 [1473]	66 [1676]	70 [1778]	82 [2083]
Fig. 2	HFM Horizontal Fc Fan HPM Horizontal Plug Fan VCM Vertical Coil VFM Vertical Fc Fan	H - in [mm]	22 [559]	22 [559]	22 [559]	30 [762]	34 [864]	34 [864]	44 [1118]	44 [1118]	44 [1118]
		W - in [mm]	30 [762]	36 [914]	44 [1118]	44 [1118]	48 [1219]	58 [1473]	66 [1676]	70 [1778]	82 [2083]
		L - in [mm]	32 [813]	32 [813]	32 [813]	36 [914]	36 [914]	36 [914]	40 [1016]	40 [1016]	40 [1016]
Fig. 3	LAM Large Access LFM Large SmarTrak Mixing Box W/ V-Bank Filters (2") LIM Large SmarTrak Inlet Plenum W/ V-Bank Filters (2") LMM Large Mixing Box W/ V-Bank Filters (2") LRM Large Inlet Plenum W/ V-Bank Filters (2") LPM Large Discharge Plenum	H - in [mm]	22 [559]	22 [559]	22 [559]	30 [762]	34 [864]	34 [864]	44 [1118]	44 [1118]	44 [1118]
		W - in [mm]	30 [762]	36 [914]	44 [1118]	44 [1118]	48 [1219]	58 [1473]	66 [1676]	70 [1778]	82 [2083]
		L - in [mm]	42 [1067]	42 [1067]	42 [1067]	42 [1067]	42 [1067]	42 [1067]	42 [1067]	42 [1067]	
		H - in [mm]	22 [559]	22 [559]	22 [559]	30 [762]	34 [864]	34 [864]	44 [1118]	44 [1118]	44 [1118]
		W - in [mm]	30 [762]	36 [914]	44 [1118]	44 [1118]	48 [1219]	58 [1473]	66 [1676]	70 [1778]	82 [2083]
Fig. 3	FCM FC Fan And Coil Combination (Horizontal Only)	H - in [mm]	22 [559]	22 [559]	22 [559]	30 [762]	34 [864]	34 [864]	44 [1118]	44 [1118]	44 [1118]
		W - in [mm]	30 [762]	36 [914]	44 [1118]	44 [1118]	48 [1219]	58 [1473]	66 [1676]	70 [1778]	82 [2083]
Fig. 4	EBH Electric Heat, Blow Thru	H - in [mm]	13-1/2 [343]	13-1/2 [343]	13-1/2 [343]	18 [457]	18 [457]	18 [457]	21 [533]	21 [533]	21 [533]
		W - in [mm]	11-1/2 [292]	11-1/2 [292]	11-1/2 [292]	17 [432]	17 [432]	17 [432]	24 [610]	24 [610]	24 [610]
		L - in [mm]	22 [559]	22 [559]	22 [559]	22 [559]	22 [559]	22 [559]	22 [559]	22 [559]	22 [559]

- NOTES:
- ALL DIMENSIONS ARE INCHES [MM]
 - ALL DIMENSIONS ARE ±1/4" [6]
 - METRIC VALUES ARE SOFT CONVERSION
 - CERTAIN CONFIGURATION RULES APPLY; SEE CATALOG AND SELECTION PROGRAM FOR DETAILS
 - CONTACT YOUR KRUEGER REPRESENTATIVE FOR AVAILABILITY AND SELECTION

Revision Date:	12/14	Form:	AHMS01-KBM01	Replaces:	NEW
----------------	-------	-------	--------------	-----------	-----