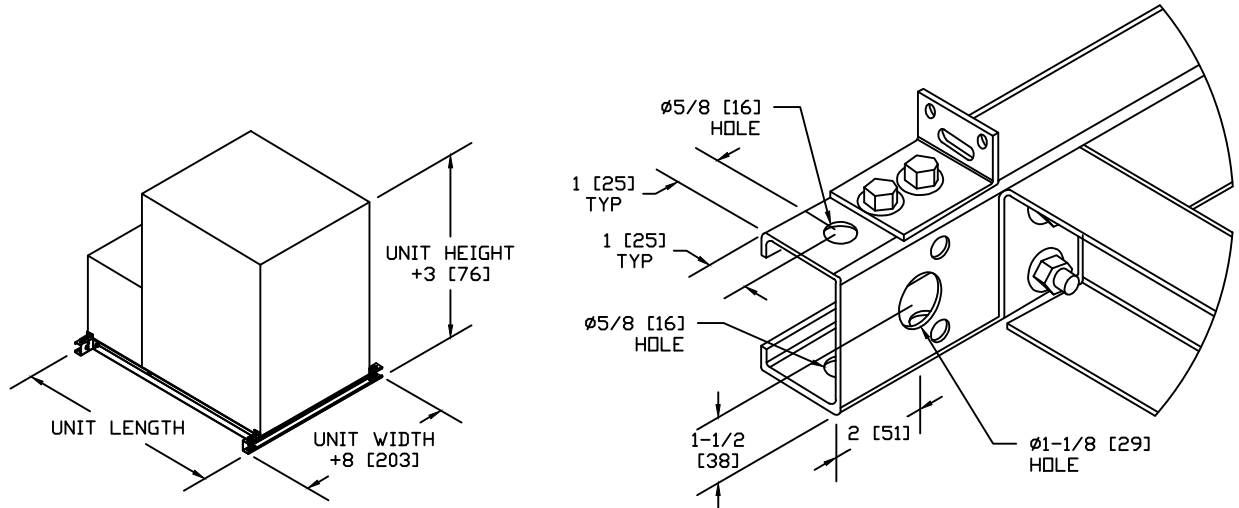
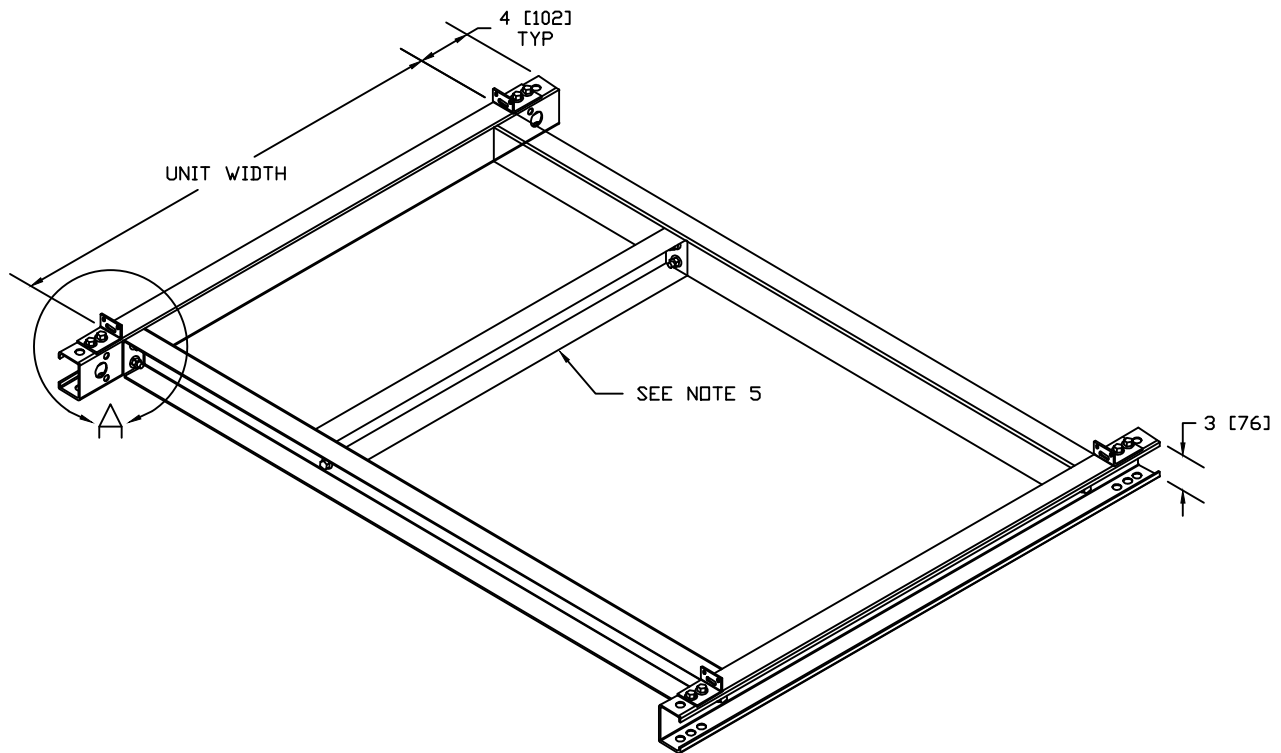


KBH, KBV - HORIZONTAL & VERTITCAL BLOWER COIL
3" BASE RAIL ASSEMBLY

SUBMITTAL SHEET



DETAIL A



NOTES:

1. ALL DIMENSIONS ARE INCHES [MM]
2. ALL DIMENSIONS ARE $\pm 1/4"$ [6]
3. METRIC VALUES ARE SOFT CONVERSION
4. VERTICAL UNIT SHOWN; TYP FOR BOTH VERTICAL AND HORIZONTAL
5. SUPPORT USED ON UNITS WITH LENGTH OVER 50' [1270]

Revision Date: 11/14	Form: BCS09-BR01	Replaces: NEW
----------------------	------------------	---------------