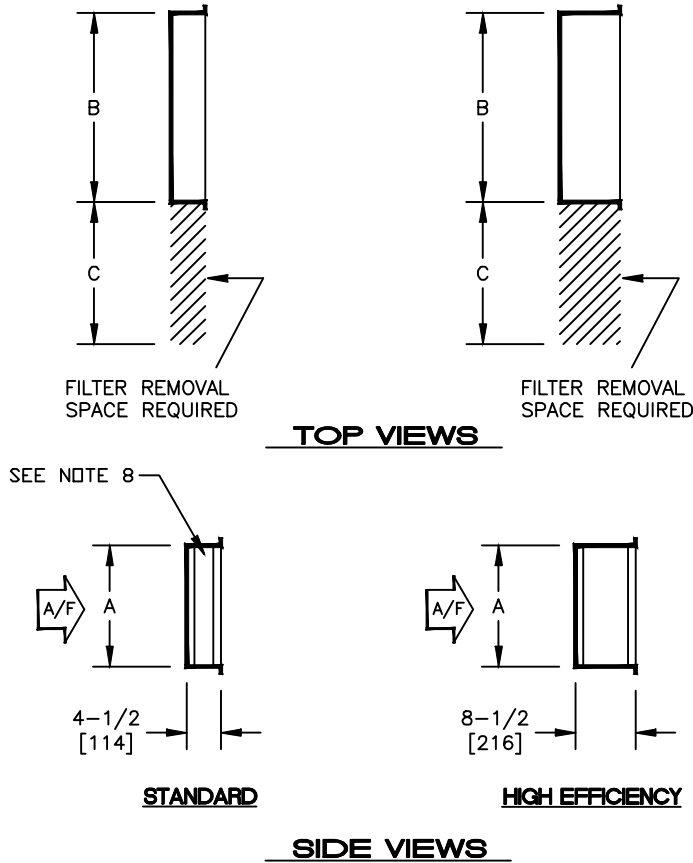


**KBH, KBV - HORIZONTAL & VERTITCAL BLOWER COIL
 STANDARD FLAT FILTER RACK**

SUBMITTAL SHEET



SIZE	A	B	C	QTY & SIZE FILTERS
08	16 [406]	20 [508]	20 [508]	(1) 16 X 20
12	16 [406]	25 [635]	25 [635]	(1) 16 X 25
16	16 [406]	39-1/2 [1003]	20 [508]	(2) 16 X 20
20	16 [406]	44-1/2 [1130]	25 [635]	(1) 16 X 20 (1) 16 X 25
30	25 [635]	51 [1295]	25 [635]	(2) 16 X 20 (1) 16 X 25
40	25 [635]	59 [1499]	25 [635]	(3) 20 X 25

NOTES:

1. ALL DIMENSIONS ARE INCHES [MM]
2. ALL DIMENSIONS ARE ±1/4" [6]
3. METRIC VALUES ARE SOFT CONVERSION
4. FLAT FILTER RACK MAY BE LOCATED AT UNIT INLET AS REQUIRED
5. STANDARD RACK WILL ACCEPT NOMINAL 1" OR 2" THICK FILTERS
6. HIGH EFFICIENCY RACK WILL ACCEPT NOMINAL 2" AND/OR 4" THICK FILTERS
7. 1" DUCT CONNECTION SPACE PROVIDED ON ENTERING SIDE OF RACK FOR CONNECTION OF FIELD DUCTWORK
8. HINGED COVER PROVIDED ON BOTH SIDES OF EXTERNALLY MOUNTED FILTER RACKS
9. INTERNAL STANDARD FILTER RACKS HAVE PIVOTING BAR TYPE FILTER RETAINER
10. SEE INDIVIDUAL UNIT SUBMITTAL DRAWINGS FOR LOCATION OF FILTER RACK ON UNIT

Revision Date: 11/14	Form: BCS08-FR01	Replaces: NEW
----------------------	------------------	---------------