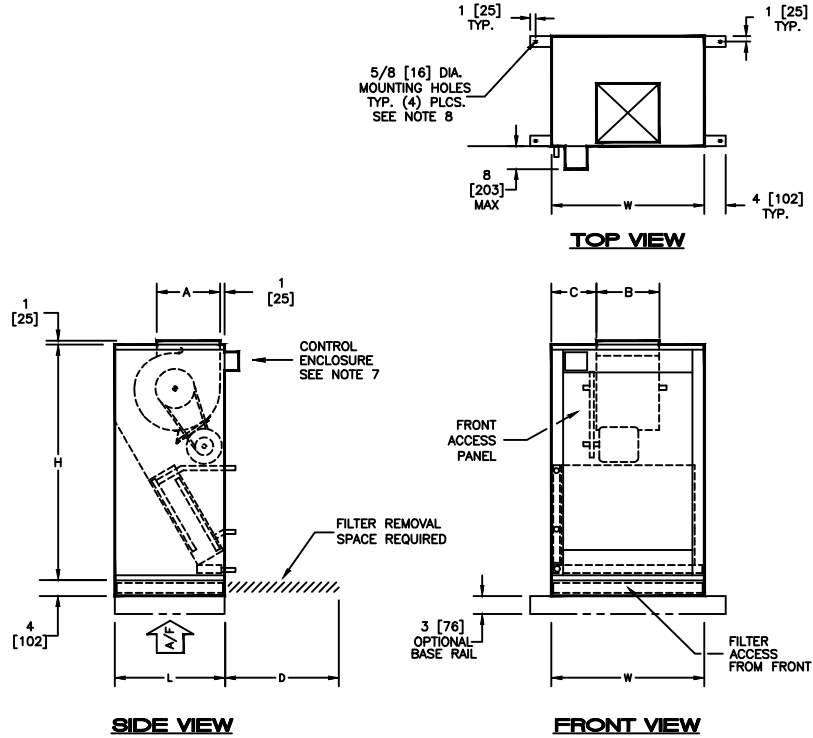


KSL - VERTICAL DOWNSIZED, BOTTOM RETURN
BASIC UNIT - DISCHARGE ARRANGEMENT 2

SUBMITTAL SHEET



SIZE	FILTER SIZE	QTY	H	W	L	A	B	C	D
08	16 X 20 X 2 [406 X 508 X 51]	1	46 [1168]	26 [660]	19 [483]	6-1/2 [165]	6-7/8 [175]	9-9/16 [243]	16 [406]
12	20 X 20 X 2 [508 X 508 X 51]	1	46 [1168]	26 [660]	21 [533]	7-1/2 [190]	8-1/4 [210]	8-7/8 [225]	20 [508]
16	24 X 24 X 2 [610 X 610 X 51]	1	54 [1372]	29 [737]	25 [635]	7-1/2 [190]	10-1/4 [260]	9-3/8 [238]	24 [610]
20	24 X 24 X 2 [610 X 610 X 51]	1	54 [1372]	29 [737]	28 [711]	11-3/8 [289]	13-1/4 [337]	7-7/8 [200]	24 [610]
25	24 X 24 X 2 [610 X 610 X 51]	1 EACH	60 [1524]	39 [991]	28 [711]	13-1/2 [343]	12-7/8 [327]	13-1/16 [332]	24 [610]
30	12 X 24 X 2 [305 X 610 X 51]	1 EACH	60 [1524]	39 [991]	28 [711]	15-1/4 [387]	15 [381]	12 [305]	24 [610]

NOTES:

- ALL DIMENSIONS ARE INCHES [MM]
- ALL DIMENSIONS ARE ±1/4" [6]
- METRIC VALUES ARE SOFT CONVERSION
- LEFT HAND UNIT SHOWN
- MOTOR/DRIVE LOCATION MAY BE SPECIFIED LEFT HAND OR RIGHT HAND
- STANDARD CONTROL ENCLOSURE LOCATION MATCHES MOTOR/DRIVE POSITION; ENCLOSURE SIZES VARIES WITH OPTION
- PROVIDE SUFFICIENT CLEARANCE TO PERMIT ACCESS TO CONTROLS AND COMPLY WITH APPLICABLE CODES AND ORDINANCES
- OPTIONAL BASE RAIL DESIGNED FOR USE WITH FLOOR MOUNT VIBRATION ISOLATORS; SEE SUBMITTAL BCS09-BR01 FOR BASE RAIL DETAILS

Revision Date: 12/14	Form: BCS04-KSL02	Replaces: NEW
----------------------	-------------------	---------------