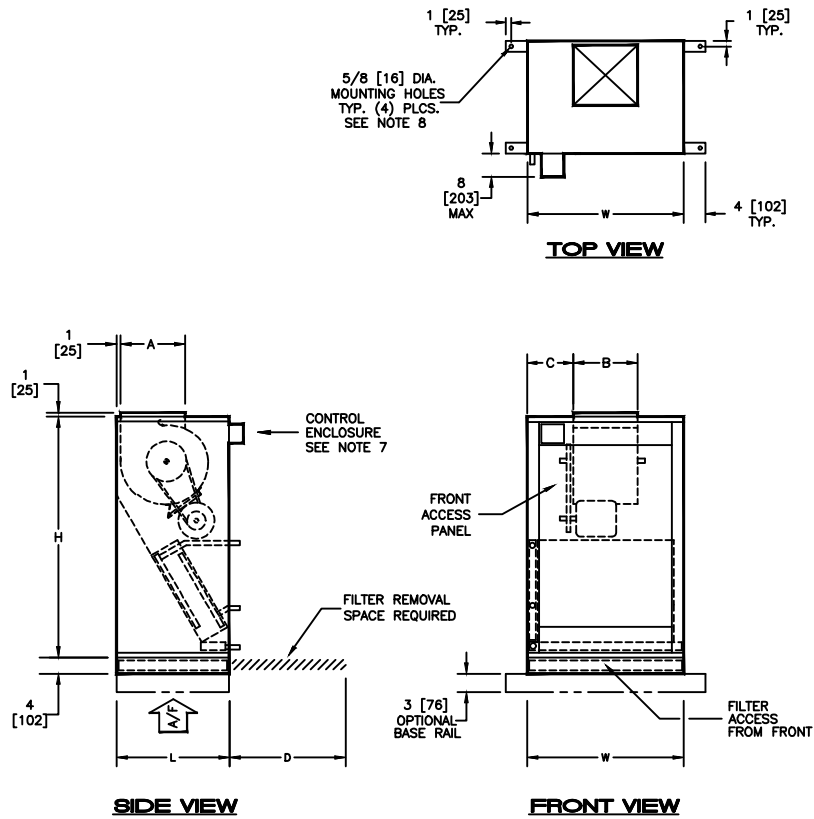


KSL - VERTICAL DOWNSIZED, BOTTOM RETURN
BASIC UNIT - DISCHARGE ARRANGEMENT 1

SUBMITTAL SHEET



SIZE	FILTER SIZE	QTY	H	W	L	A	B	C	D
08	16 X 20 X 2 [406 X 508 X 51]	1	46 [1168]	26 [660]	19 [483]	6-1/2 [165]	6-7/8 [175]	9-9/16 [243]	16 [406]
12	20 X 20 X 2 [508 X 508 X 51]	1	46 [1168]	26 [660]	21 [533]	7-1/2 [190]	8-1/4 [210]	8-7/8 [225]	20 [508]
16	24 X 24 X 2 [610 X 610 X 51]	1	54 [1372]	29 [737]	25 [635]	7-1/2 [190]	10-1/4 [260]	9-3/8 [238]	24 [610]
20	24 X 24 X 2 [610 X 610 X 51]	1	54 [1372]	29 [737]	28 [711]	11-3/8 [289]	13-1/4 [337]	7-7/8 [200]	24 [610]
25	24 X 24 X 2 [610 X 610 X 51]	1 EACH	60 [1524]	39 [991]	28 [711]	13-1/2 [343]	12-7/8 [327]	13-1/16 [332]	24 [610]
30	12 X 24 X 2 [305 X 610 X 51]	1 EACH	60 [1524]	39 [991]	28 [711]	15-1/4 [387]	15 [381]	12 [305]	24 [610]

NOTES:

1. ALL DIMENSIONS ARE INCHES [MM]
2. ALL DIMENSIONS ARE ±1/4" [6]
3. METRIC VALUES ARE SOFT CONVERSION
4. LEFT HAND UNIT SHOWN
5. MOTOR/DRIVE LOCATION MAY BE SPECIFIED LEFT HAND OR RIGHT HAND
6. STANDARD CONTROL ENCLOSURE LOCATION MATCHES MOTOR/DRIVE POSITION; ENCLOSURE SIZES VARIES WITH OPTION
7. PROVIDE SUFFICIENT CLEARANCE TO PERMIT ACCESS TO CONTROLS AND COMPLY WITH APPLICABLE CODES AND ORDINANCES
8. OPTIONAL BASE RAIL DESIGNED FOR USE WITH FLOOR MOUNT VIBRATION ISOLATORS; SEE SUBMITTAL BCS09-BR01 FOR BASE RAIL DETAILS

Revision Date: 12/14	Form: BCS04-KSL01	Replaces: NEW
----------------------	-------------------	---------------