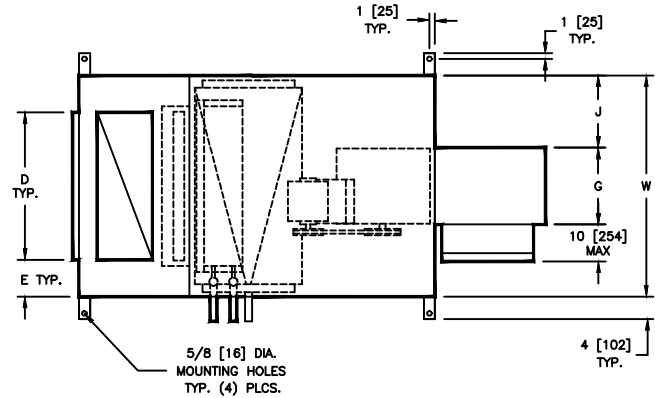
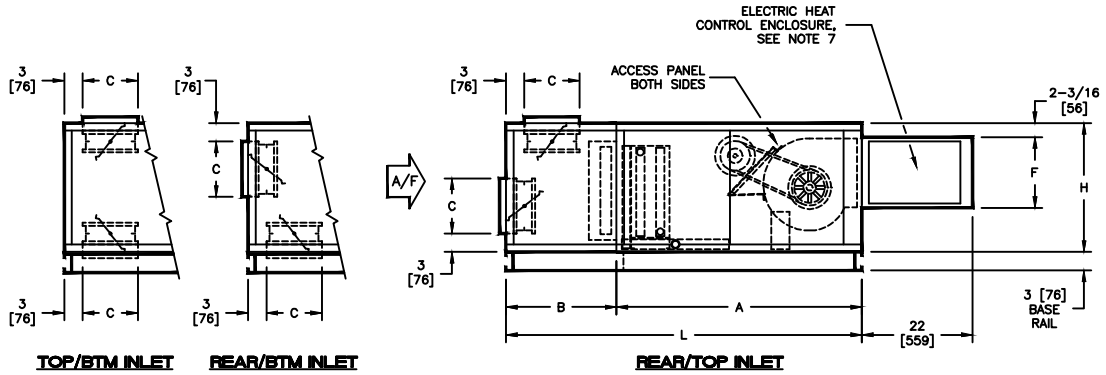


KBH - HORIZONTAL BLOWER COIL
 BASIC UNIT - DISCHARGE ARRNG. 3 WITH MIXING BOX & BLOW-THRU ELECTRIC HEAT

SUBMITTAL SHEET

TOP VIEW

SIDE VIEWS

SIZE	FAN SIZE	L	W	H	A	B	C	D	E	F	G	J
08	9 X 4 [229 X 102]	58 [1473]	30 [762]	21 [533]	40 [1016]	18 [457]	9 [229]	18 [457]	6 [152]	11-7/8 [302]	8-7/8 [225]	10-9/16 [268]
12	9 X 6 [229 X 152]	58 [1473]	36 [914]	21 [533]	40 [1016]	18 [457]	9 [229]	24 [610]	6 [152]	11-7/8 [302]	8-7/8 [225]	13-9/16 [344]
16	10 X 8 [254 X 203]	58 [1473]	44 [1118]	21 [533]	40 [1016]	18 [457]	9 [229]	30 [762]	7 [178]	12 [305]	10-7/8 [276]	16-9/16 [421]
20	10 X 10 [254 X 254]	61 [1549]	50 [1270]	21 [533]	40 [1016]	21 [533]	12 [305]	36 [914]	7 [178]	12 [305]	13-7/8 [352]	18-1/16 [459]
30	15 X 9 [381 X 229]	67 [1702]	59 [1499]	30 [762]	46 [1168]	21 [533]	12 [305]	45 [1143]	7 [178]	16-5/8 [422]	13-7/8 [352]	22-9/16 [573]
40	15 X 11 [381 X 279]	70 [1778]	68 [1727]	30 [762]	46 [1168]	24 [610]	15 [381]	48 [1219]	10 [254]	16-5/8 [422]	15-5/8 [397]	21-11/16 [551]

NOTES:

- ALL DIMENSIONS ARE INCHES [MM]
- ALL DIMENSIONS ARE ±1/4" [6]
- METRIC VALUES ARE SOFT CONVERSION
- RIGHT HAND UNIT SHOWN, LEFT HAND UNIT OPPOSITE
- MOTOR/DRIVE LOCATION MAY BE SPECIFIED LEFT HAND OR RIGHT HAND
- STANDARD CONTROL ENCLOSURE LOCATION MATCHES MOTOR/DRIVE POSITION
- PROVIDE SUFFICIENT CLEARANCE TO PERMIT ACCESS TO CONTROLS AND COMPLY WITH APPLICABLE CODES AND ORDINANCES
- SEE SUBMITTAL BCS08-FR01 FOR FILTER RACK DETAILS
- OUTSIDE AND RETURN AIR DAMPER LINKAGE IS OPTIONAL
- SEE COIL CONNECTION DETAIL DRAWINGS FOR COIL CONNECTION SIZES AND LOCATIONS
- HIGH EFFICIENCY FILTER RACK NOT AVAILABLE WITH MIXING BOX
- UNITS WITH ELECTRIC HEAT ONLY (NO CHILLED WATER, DX, HOT WATER OR STEAM COILS) AND A DRAIN PAN WILL BE SUPPLIED WITH CONDENSATE DRAIN OUTLET THE SAME SIDE AS THE ELECTRIC HEAT CONTROL ENCLOSURE

Revision Date: 11/14	Form: BCS01-KBH11	Replaces: NEW
----------------------	-------------------	---------------