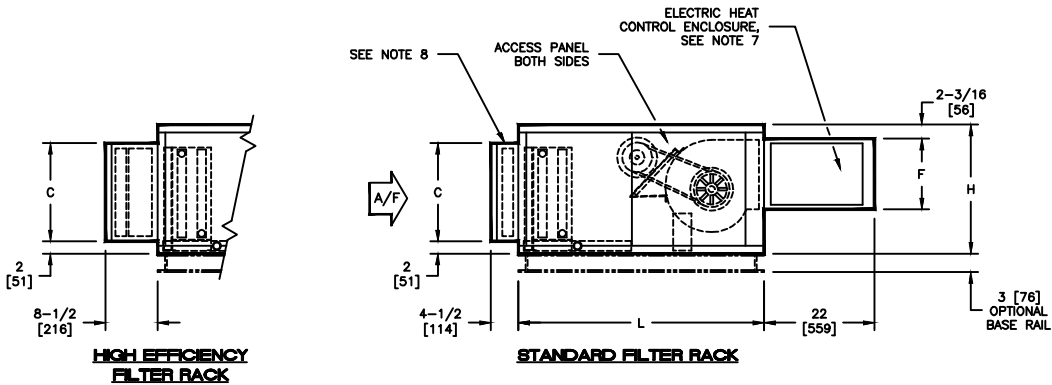
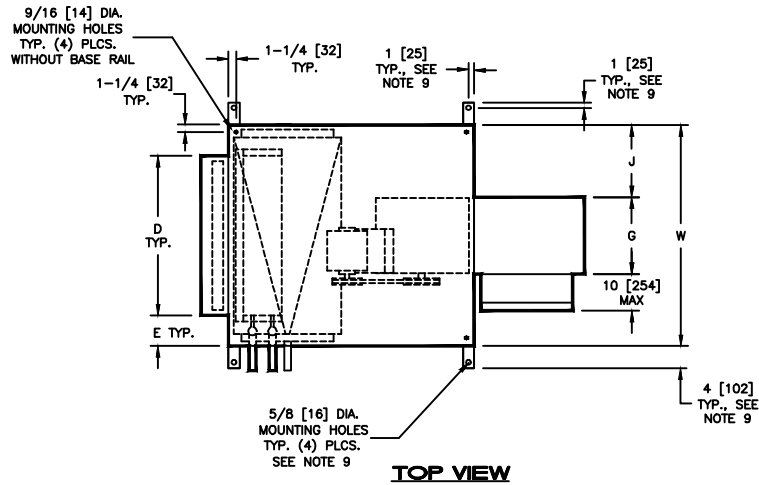


KBH - HORIZONTAL BLOWER COIL
BASIC UNIT - DISCHARGE ARRANGEMENT 3 WITH BLOW-THRU ELECTRIC HEAT

SUBMITTAL SHEET



SIZE	FAN SIZE	L	W	H	C	D	E	F	G	J
08	9 X 4 [229 X 102]	40 [1016]	30 [762]	21 [533]	16 [406]	20 [508]	5 [127]	11-7/8 [302]	8-7/8 [225]	10-9/16 [268]
12	9 X 6 [229 X 152]	40 [1016]	36 [914]	21 [533]	16 [406]	25 [635]	5-1/2 [140]	11-7/8 [302]	8-7/8 [225]	13-9/16 [344]
16	10 X 8 [254 X 203]	40 [1016]	44 [1118]	21 [533]	16 [406]	39-1/2 [1003]	2-1/4 [57]	12 [305]	10-7/8 [276]	16-9/16 [421]
20	10 X 10 [254 X 254]	40 [1016]	50 [1270]	21 [533]	16 [406]	44-1/2 [1130]	2-3/4 [70]	12 [305]	13-7/8 [352]	18-1/16 [459]
30	15 X 9 [381 X 229]	46 [1168]	59 [1499]	30 [762]	25 [635]	51 [1295]	4 [102]	16-5/8 [422]	13-7/8 [352]	22-9/16 [573]
40	15 X 11 [381 X 279]	46 [1168]	68 [1727]	30 [762]	25 [635]	59 [1499]	4-1/2 [114]	16-5/8 [422]	15-5/8 [397]	21-11/16 [551]

NOTES:

1. ALL DIMENSIONS ARE INCHES [MM]
2. ALL DIMENSIONS ARE ±1/4" [6]
3. METRIC VALUES ARE SOFT CONVERSION
4. RIGHT HAND UNIT SHOWN, LEFT HAND UNIT OPPOSITE
5. MOTOR/DRIVE LOCATION MAY BE SPECIFIED LEFT HAND OR RIGHT HAND
6. STANDARD CONTROL ENCLOSURE LOCATION MATCHES MOTOR/DRIVE POSITION
7. PROVIDE SUFFICIENT CLEARANCE TO PERMIT ACCESS TO CONTROLS AND COMPLY WITH APPLICABLE CODES AND ORDINANCES
8. SEE SUBMITTAL BCS08-FR01 FOR FILTER RACK DETAILS
9. BASE RAIL IS OPTIONAL ON BASE UNIT; SEE DRAWING BCS09-BR01; BASE RAILS MUST BE USED WITH MIXING BOX
10. SEE COIL CONNECTION DETAIL DRAWINGS FOR COIL CONNECTION SIZES AND LOCATIONS
11. UNITS WITH ELECTRIC HEAT ONLY (NO CHILLED WATER, DX, HOT WATER OR STEAM COILS) AND A DRAIN PAN WILL BE SUPPLIED WITH CONDENSATE DRAIN OUTLET THE SAME SIDE AS THE ELECTRIC HEAT CONTROL ENCLOSURE

Revision Date: 12/14	Form: BCS01-KBH09	Replaces: NEW
----------------------	-------------------	---------------