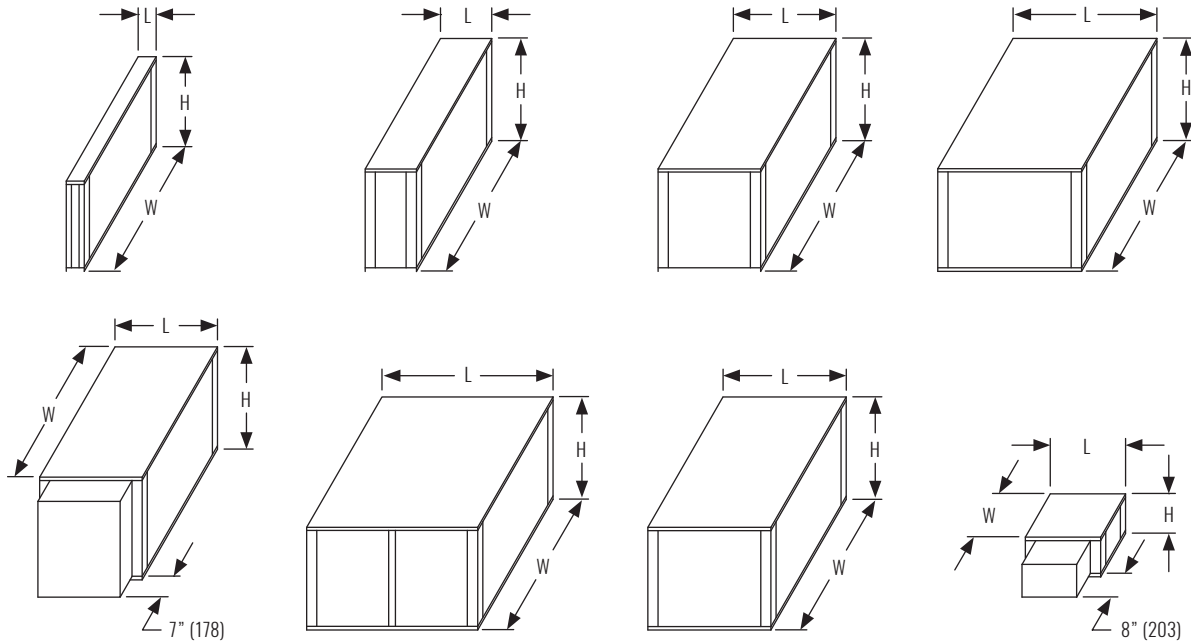


**UNIT CONFIGURATIONS**



MODULE SIZE		2	3	4	6	8	10	12	14	17
POSITION		2	3	4	5	6	7	8	9	10
MEASUREMENTS		H / W / L	H / W / L	H / W / L	H / W / L	H / W / L	H / W / L	H / W / L	H / W / L	H / W / L
EFM	EXTERNAL FLAT FILTERS (2")	17 3/8" (441) 28" (711) 5 1/4" (133)	17 3/8" (441) 34" (864) 5 1/4" (133)	17 3/8" (441) 42" (1069) 5 1/4" (133)	26 3/8" (670) 42" (1069) 5 1/4" (133)	26 3/8" (670) 46" (1168) 5 1/4" (133)	26 3/8" (670) 56" (1422) 5 1/4" (133)	41 3/16" (1046) 64" (1626) 5 1/4" (133)	41 3/16" (1046) 68" (1727) 5 1/4" (133)	41 3/16" (1046) 80" (2032) 5 1/4" (133)
SAM	SMALL ACCESS	22" (559)	22" (559)	22" (559)	30" (762)	34" (864)	34" (864)	44" (1118)	44" (1118)	44" (1118)
SCM	SMALL COIL	30" (762)	36" (914)	44" (1118)	44" (1118)	48" (1219)	58" (1473)	66" (1676)	70" (1778)	82" (2083)
SFM	SMALL FLAT FILTERS (2" AND/OR 4" CARTRIDGE)	15" (381)	15" (381)	15" (381)	15" (381)	15" (381)	15" (381)	15" (381)	15" (381)	15" (381)
MAM	MEDIUM ACCESS									
MCM	MEDIUM COIL									
MFM	MED. SMARTRAC MIX. BOX W/FLAT FILTERS (2")	22" (559)	22" (559)	22" (559)	30" (762)	34" (864)	34" (864)	44" (1118)	44" (1118)	44" (1118)
MIM	MED. SMARTRAC INLET PLENUM W/FLAT FILTERS (2")	30" (762)	36" (914)	44" (1118)	44" (1118)	48" (1219)	58" (1473)	66" (1676)	70" (1778)	82" (2083)
MMM	MEDIUM MIXING BOX WITH FLAT FILTERS (2")	30" (762)	30" (762)	30" (762)	30" (762)	30" (762)	30" (762)	30" (762)	30" (762)	30" (762)
MRM	MEDIUM INLET PLENUM WITH FLAT FILTERS (2") MEDIUM									
MVM	V-BANK FILTERS (2")									
HFM	HORIZONTAL FC FAN	22" (559)	22" (559)	22" (559)	30" (762)	34" (864)	34" (864)	44" (1118)	44" (1118)	44" (1118)
VCM	VERTICAL COIL	30" (762)	36" (914)	44" (1118)	44" (1118)	48" (1219)	58" (1473)	66" (1676)	70" (1778)	82" (2083)
VFM	VERTICAL FC FAN	32" (813)	32" (813)	32" (813)	36" (914)	36" (914)	36" (914)	40" (1016)	40" (1016)	40" (1016)
LFM	LG. SMARTRAC MIX. BOX W/V-BANK FILTERS (2")									
LIM	LG. SMARTRAC INLET PLENUM W/V-BANK FILTERS (2")	22" (559)	22" (559)	22" (559)	30" (762)	34" (864)	34" (864)	44" (1118)	44" (1118)	44" (1118)
LMM	LARGE MIXING BOX WITH V-BANK FILTERS (2")	30" (762)	36" (914)	44" (1118)	44" (1118)	48" (1219)	58" (1473)	66" (1676)	70" (1778)	58" (1473)
LRM	LARGE INLET PLENUM WITH V-BANK FILTERS (2") LARGE	42" (1067)	42" (1067)	42" (1067)	42" (1067)	42" (1067)	42" (1067)	42" (1067)	42" (1067)	42" (1067)
LPM	DISCHARGE PLENUM									
FCM	FC FAN AND COIL COMBINATION (HORIZONTAL ONLY)	22" (559)	22" (559)	22" (559)	30" (762)	34" (864)	34" (864)	44" (1118)	44" (1118)	44" (1118)
EHB	ELECTRIC HEAT BLOW THRU	13 1/2" (343)	13 1/2" (343)	13 1/2" (343)	18" (457)	18" (457)	18" (457)	21" (533)	21" (533)	21" (533)
		11 1/2" (292)	11 1/2" (292)	11 1/2" (292)	17" (432)	17" (432)	17" (432)	24" (610)	24" (610)	24" (610)
		22" (559)	22" (559)	22" (559)	22" (559)	22" (559)	22" (559)	22" (559)	22" (559)	22" (559)

**NOTES:**

1. All dimensions are ± 1/4" (6mm). Metric values are soft conversions.
2. Section images are for identification of unit configuration only. See individual section submittal drawings at [www.krueger-hvac.com](http://www.krueger-hvac.com).
3. Certain configuration rules apply; see selection program for details.