

Introduction: ABX

The Krueger by Halton active 4-way discharge chilled beam are perfect for rooms where ceiling space is at a premium and efficient mixing of room air is required. Whether you have high or low capacity requirements, the ability of the ABX to discharge air in four directions will help ensure that the air is distributed optimally.

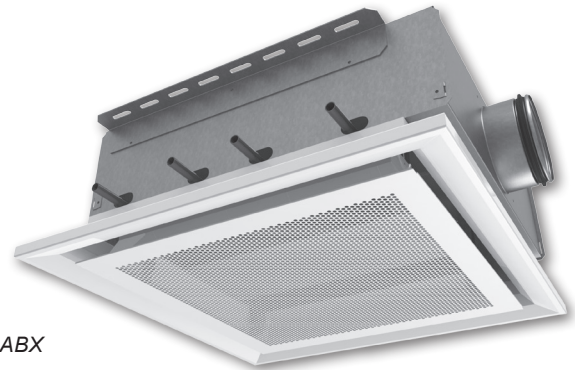
MODEL

ABX - Active 4-Way

FEATURED OPTIONS

(See STANDARD OPTIONS on Page C3-17)

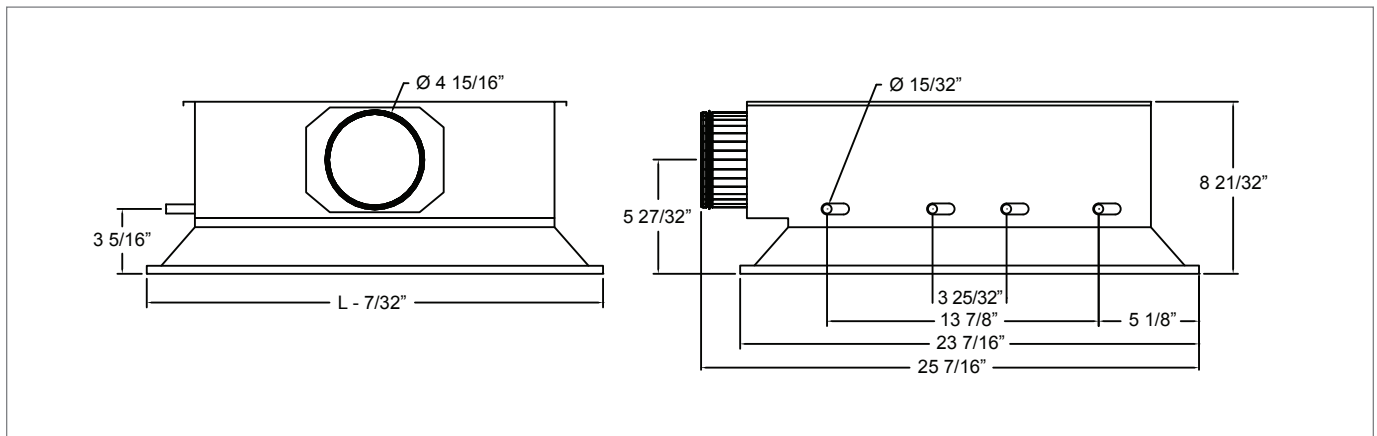
- Air Boost function adjustment for high density spaces.
- Nozzle sizes available for more precise performance.
- 5" diameter duct connection.
- Right and Left hand connection available.



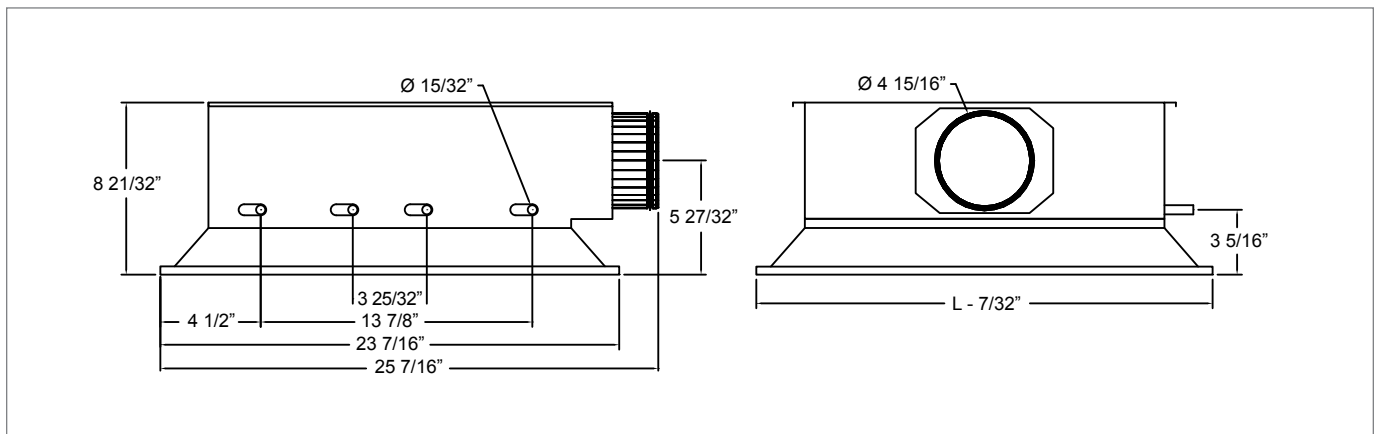
ABX

ABX Dimensional Information

ABX LEFT DUCT & SIDE VIEWS



ABX RIGHT DUCT & SIDE VIEWS



NOTES: All dimensions in inches. Cooling/heating water pipe connections are copper 1/2" and 3/8" with a wall thickness of 0.04". The maximum operating pressure of chilled/hot water pipework is 150 psi.