

Introduction: Active Chilled Beams

The *Krueger by Halton* active chilled beams are water assisted air distribution devices designed to maximize on thermal comfort, indoor air quality, and energy savings. They accomplish this through the combined use of pressurized supply air, sensible cooling or heating water coils, and induced room air.

These devices are best suited for use in areas such as office buildings, health care facilities, or any other type of building with open spaces or individual offices. Active chilled beams work in rooms with up to 12 ft. ceilings and where both heating and cooling may be needed. They are available for both lay-in and exposed mounting applications in various widths and lengths, making them a flexible option for just about any architectural preference. Low sound levels coupled with peak energy efficiency make these chilled beams the ideal choice for not only new building construction, but retrofit projects as well.

MODELS

- ASB - Active High Capacity
- ABD - Active 12" Wide Sustainable
- AHH - Active Bulkhead
- AHB - Active Bulkhead, Booster Fan
- ABH - Active Corner Mounted, Exposed
- ABX - Active 4-Way Discharge

STANDARD FEATURES

- Standard finish is Polyester Painted White (RAL 9010).
- Combined cooling and heating coil.
- 2 and 4 pipe coil configuration.
- Cooling/heating water pipe connections are copper 1/2" and 3/8" diameter, respectively.
- Aluminum fins on water coil.
- Multiple nozzle sizes available for demand based performance.
- 1-way and 2-way supply.
- Perforated, hinged access panel for easy room side access to coil.
- 20 gauge, galvanized steel casing.
- 5" diameter primary air duct connections. (6.4" on ASB, 4" on ABD)
- Low sound levels.
- *Krueger by Halton* Velocity Control (HVC). (Available on most active models)



Open Office Application



Bulkhead Application

CHILLED BEAMS

ACTIVE

PERFORMANCE DATA:

Unlike a typical grille, register, or diffuser; chilled beams have a level of complexity which demands a more robust presentation of performance. Download KHIT, our chilled beam software, from our website at www.krueger-hvac.com. This powerful tool provides an accurate representation of a given product's performance. Each input allows you to understand the room and/or unit performance based on your exact input parameters. For further assistance in selecting or specifying *Krueger by Halton* chilled beams, contact your local representative or send us an email at kruegerinfo@krueger-hvac.com.

Introduction: ABX

The Krueger by Halton active 4-way discharge chilled beam are perfect for rooms where ceiling space is at a premium and efficient mixing of room air is required. Whether you have high or low capacity requirements, the ability of the ABX to discharge air in four directions will help ensure that the air is distributed optimally.

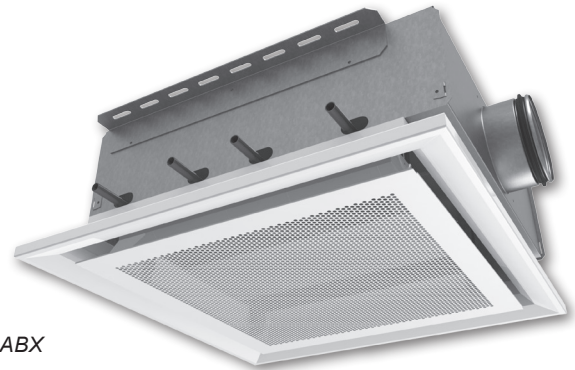
MODEL

ABX - Active 4-Way

FEATURED OPTIONS

(See STANDARD OPTIONS on Page C3-17)

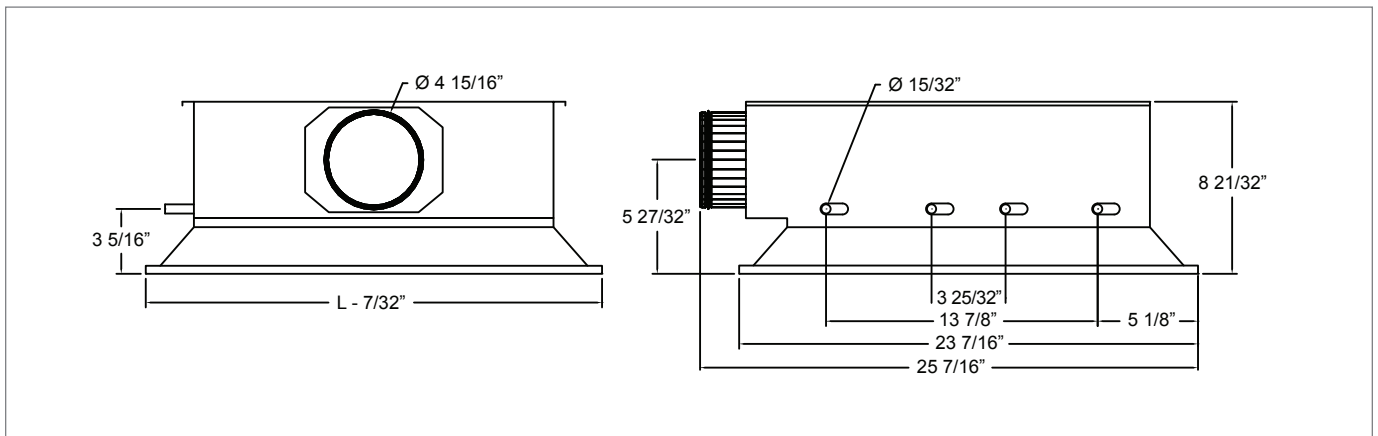
- Air Boost function adjustment for high density spaces.
- Nozzle sizes available for more precise performance.
- 5" diameter duct connection.
- Right and Left hand connection available.



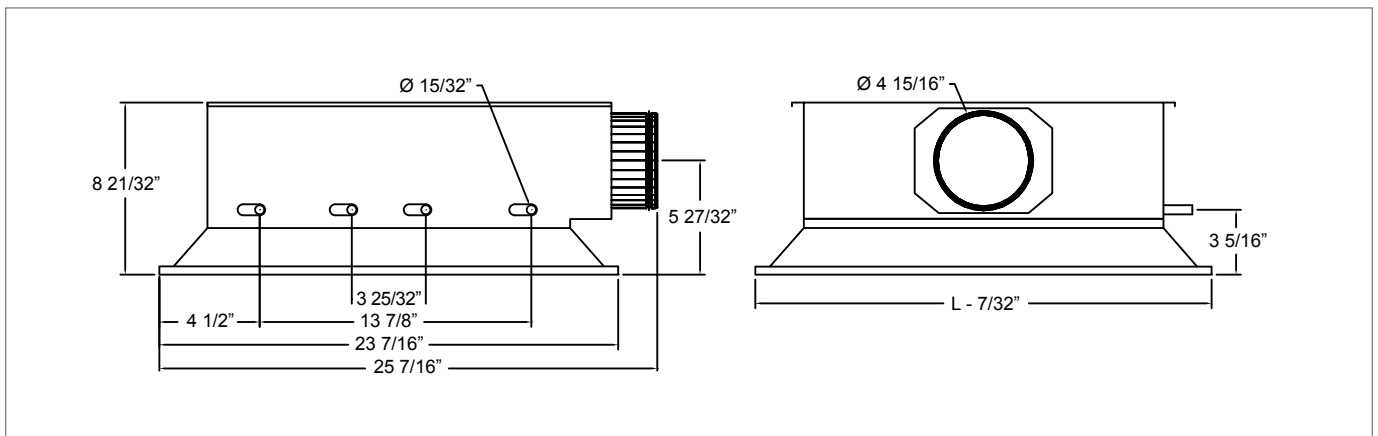
ABX

ABX Dimensional Information

ABX LEFT DUCT & SIDE VIEWS



ABX RIGHT DUCT & SIDE VIEWS



NOTES: All dimensions in inches. Cooling/heating water pipe connections are copper $1/2"$ and $3/8"$ with a wall thickness of 0.04". The maximum operating pressure of chilled/hot water pipework is 150 psi.