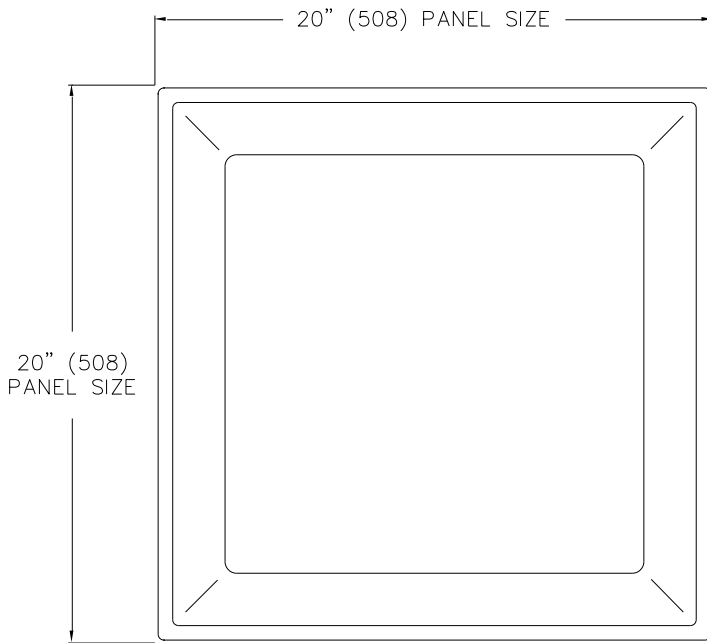


JOB NAME \_\_\_\_\_  
 ARCHITECT \_\_\_\_\_  
 ENGINEER \_\_\_\_\_  
 CONTRACTOR \_\_\_\_\_  
 LOCATION \_\_\_\_\_

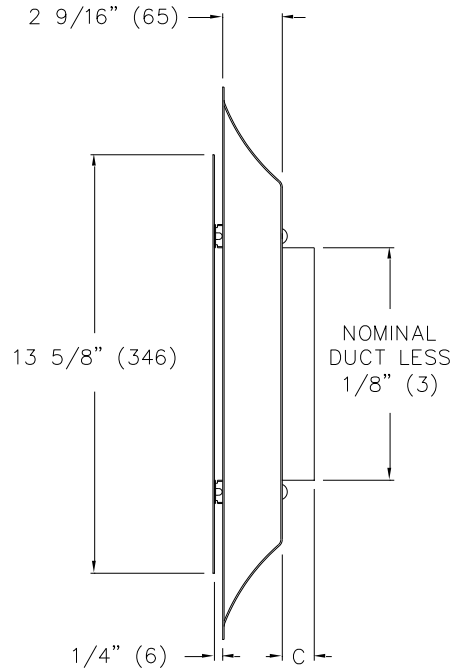
**SUBMITTALSHEET**  
 Form Number DS34SP Effective Date 02/05  
 Replaces NEW



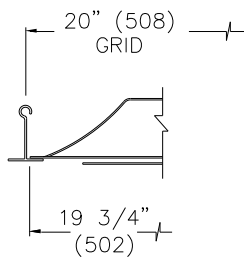
**PLQ Architectural Ceiling Diffuser**  
 20x20 PANEL WITH ROUND NECK



**FACE VIEW**



**SIDE VIEW**



□ **FRAME 23**  
 LAY-IN T-BAR

**DIMENSIONS ARE SHOWN AS  
 INCHES (MM).**

**NOTES:**

1. UNIT CONSTRUCTION 22GA STEEL.
2. BRITISH WHITE IS STANDARD FINISH.

NOMINAL DUCT SIZES			
	6 (152)	8 (203)	10 (254)
<b>C</b>	3/4 (19)	3/4 (19)	3/4 (19)