

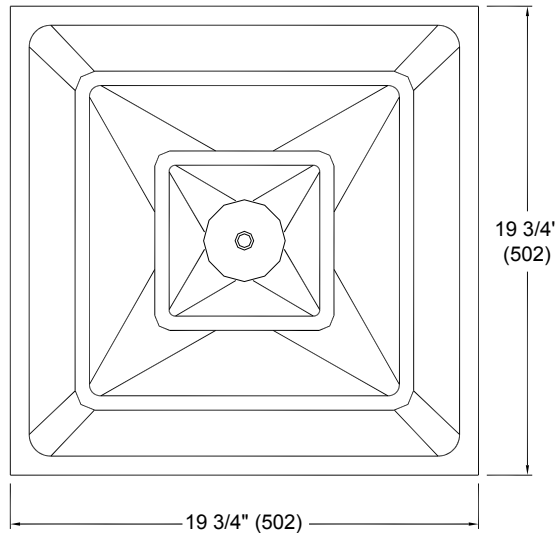
JOB NAME \_\_\_\_\_  
 ARCHITECT \_\_\_\_\_  
 ENGINEER \_\_\_\_\_  
 CONTRACTOR \_\_\_\_\_  
 LOCATION \_\_\_\_\_

**SUBMITTAL SHEET**  
 Form Number DS1460.1 Effective Date 11/03  
 Replaces Form DS1460



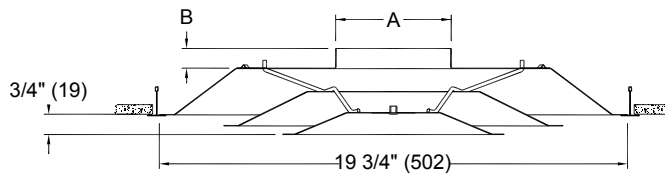
**SERIES 1450**  
**SQUARE DIFFUSER FOR 20" x 20" GRIDS**

**ROUND NECK**



□ FRAME 23

**FACE VIEW**



**SIDE VIEW**

NOMINAL NECK SIZE	A	B
6	5 7/8" (149)	1" (25)
8	7 7/8" (200)	1" (25)
10	9 7/8" (251)	1" (25)

**NOTES :**

1. 1450 CONSTRUCTION IS STEEL.
2. STANDARD FINISH IS 44 WHITE.

**ACCESSORIES :**

DAMPERS ARE TO BE ORDERED SEPARATELY.

**DIMENSIONS ARE GIVEN AS  
 INCHES (MM)**