

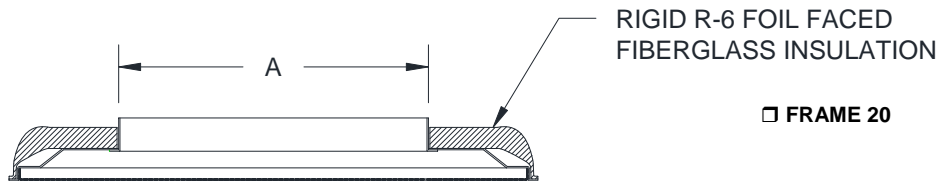
JOB NAME \_\_\_\_\_  
 ARCHITECT \_\_\_\_\_  
 ENGINEER \_\_\_\_\_  
 CONTRACTOR \_\_\_\_\_  
 LOCATION \_\_\_\_\_

**SUBMITTALSHEET**  
 Form Number R6008.1 Effective Date 3/15  
 Replaces Form R6008

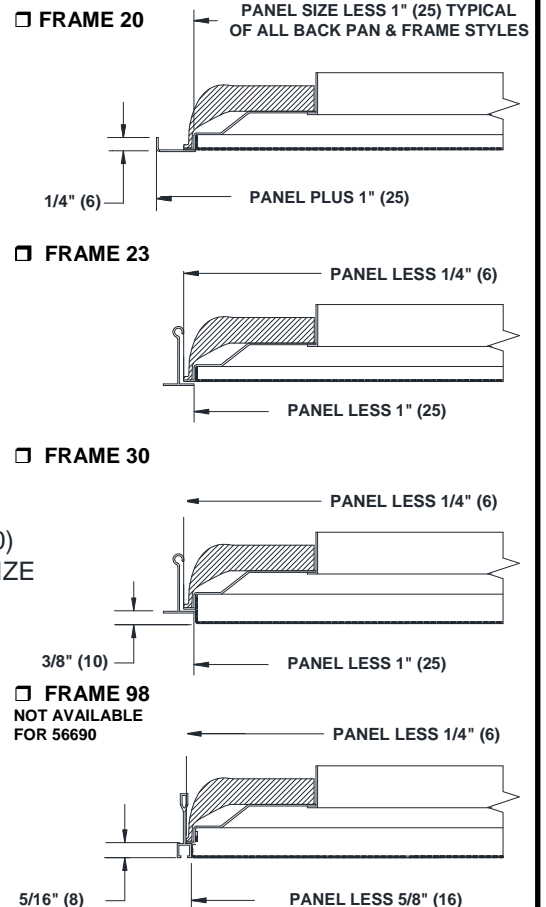
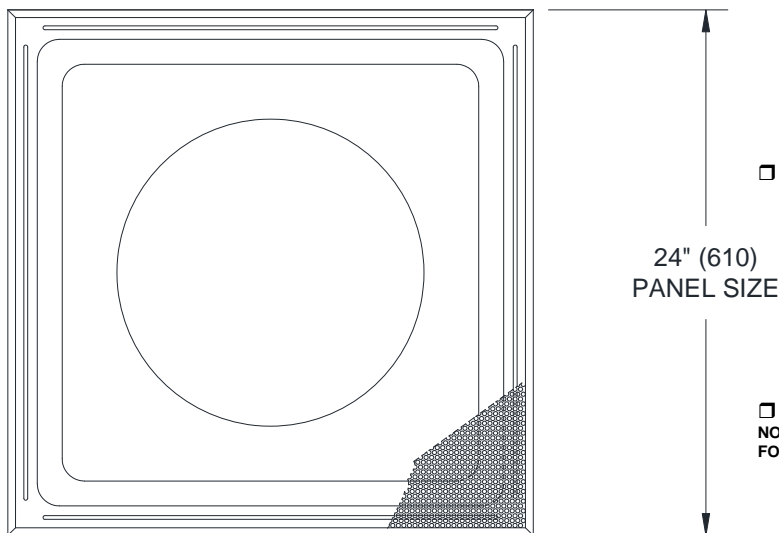


**SERIES 6690 & 56690**  
**24" x 24" SQUARE FACE – ROUND NECK WITH R-6 INSULATION**

**CROSS SECTION**



**FACE VIEW**



**NOTES:**

1. **6690** CONSTRUCTION IS STEEL
2. **56690** CONSTRUCTION IS ALUMINUM
3. **R6** RIGID FOIL FACED FIBERGLASS INSULATION HAS AN R-VALUE OF 6
4. STANDARD FINISH IS 44 – BRITISH WHITE
5. INSULATION P/N: 72439801

**ACCESSORIES:**

- DAMPERS ARE TO BE ORDERED SEPARATELY

NOMINAL NECK SIZE	A
6	5 7/8" (149)
8	7 7/8" (200)
10	9 7/8" (251)
12	11 7/8" (302)
14	13 7/8" (352)
16	15 7/8" (403)