

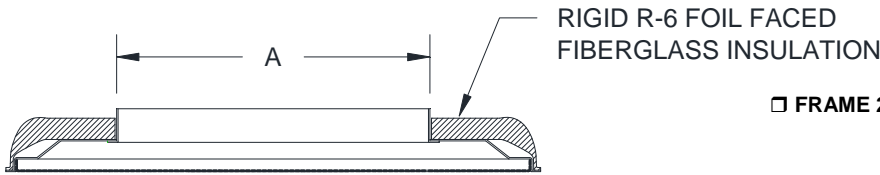
JOB NAME \_\_\_\_\_  
 ARCHITECT \_\_\_\_\_  
 ENGINEER \_\_\_\_\_  
 CONTRACTOR \_\_\_\_\_  
 LOCATION \_\_\_\_\_

**SUBMITTALSHEET**  
 Form Number: R6007 Effective Date 12/13  
 NEW

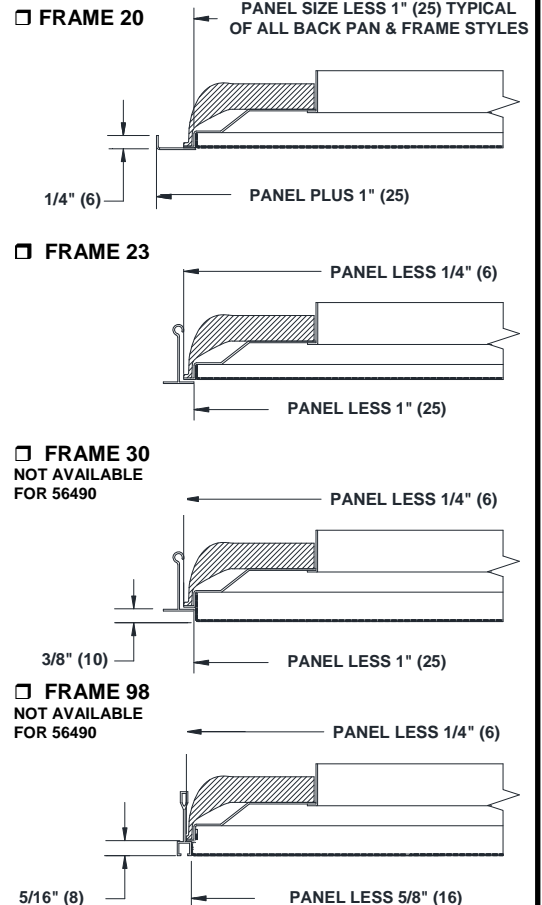
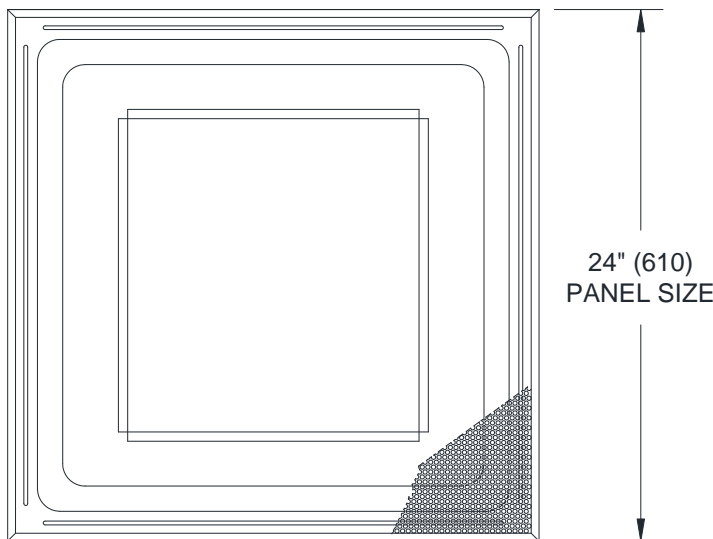


**SERIES 6490 & 56490**  
**24" x 24" SQUARE FACE – SQUARE NECK WITH R-6 INSULATION**

**CROSS SECTION**



**FACE VIEW**



**NOTES:**

1. 6490 CONSTRUCTION IS STEEL
2. 56490 CONSTRUCTION IS ALUMINUM
3. R6 RIGID FOIL FACED FIBERGLASS INSULATION HAS AN R-VALUE OF 6
4. STANDARD FINISH IS 44 – BRITISH WHITE
5. INSULATION P/N: 72439801

**ACCESSORIES:**

- DAMPERS ARE TO BE ORDERED SEPARATELY

NOMINAL NECK SIZE	A
6x6	5 7/8" (149)
8x8	7 7/8" (200)
10x10	9 7/8" (251)
12x12	11 7/8" (302)
14x14	13 7/8" (352)
15x15	14 7/8" (378)

Product Information is Subject to Change Without Notice