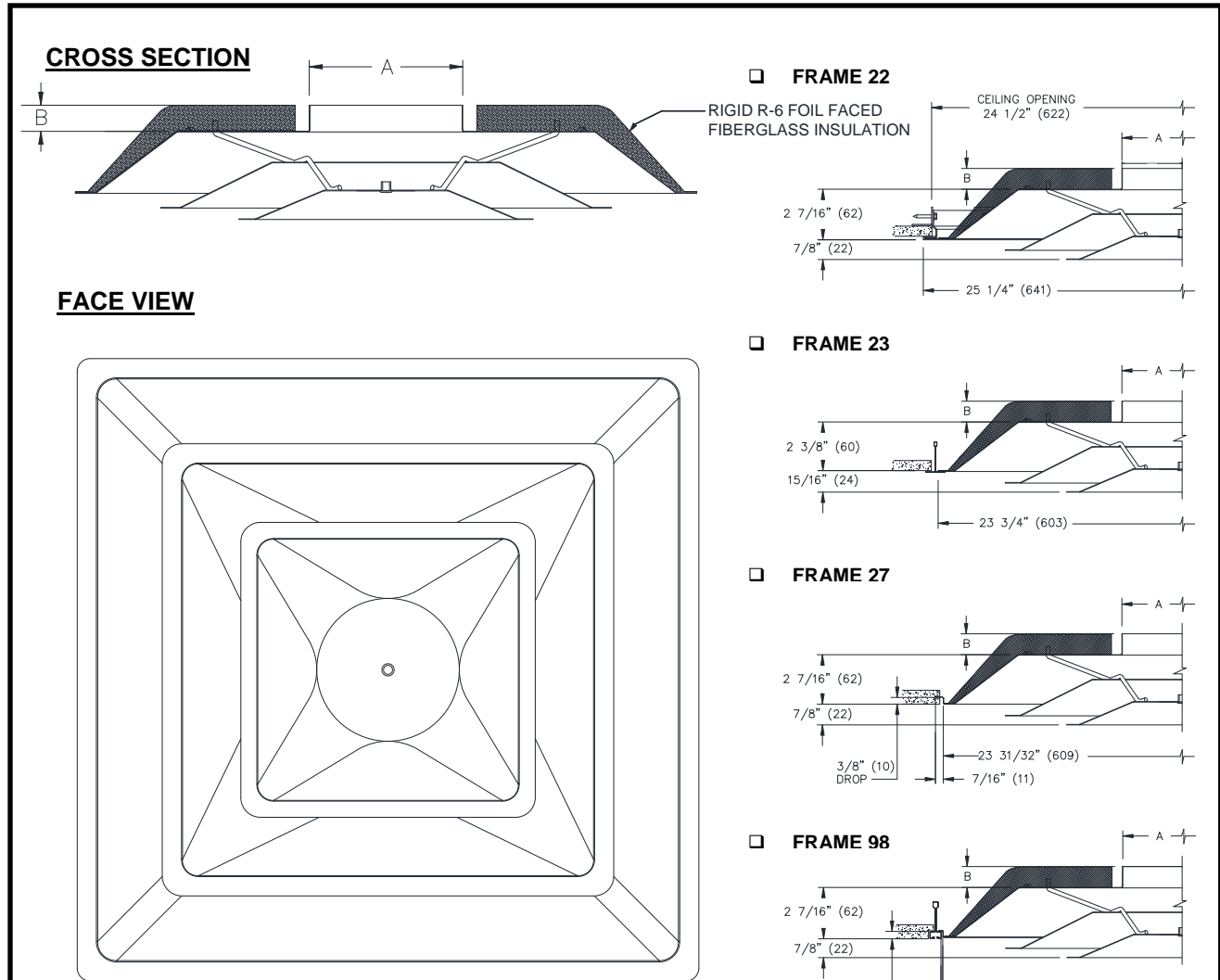


JOB NAME _____
 ARCHITECT _____
 ENGINEER _____
 CONTRACTOR _____
 LOCATION _____

SUBMITTALSHEET
 Form Number: R6003 Effective Date 7/13
 NEW



SERIES 1450 & 51450
24"X 24" SQUARE FACE – ROUND NECK WITH R-6 INSULATION



NOTES:

1. **1450** CONSTRUCTION IS STEEL
2. **51450** CONSTRUCTION IS ALUMINUM
3. **R6** RIGID FOIL FACED FIBERGLASS INSULATION HAS AN R-VALUE OF 6
4. STANDARD FINISH IS 44 – BRITISH WHITE
5. EQ TABS ARE NOT ACCESSIBLE WITH INSULATION OPTION
6. INSULATION P/N: 72413401

ACCESSORIES:

- DAMPERS ARE TO BE ORDERED SEPARATELY

NOMINAL NECK SIZE	A	B
6	5 7/8" (149)	1" (25)
8	7 7/8" (200)	1" (25)
10	9 7/8" (251)	1 1/2" (38)
12	11 7/8" (302)	1 1/2" (38)
14	13 7/8" (353)	1 1/2" (38)
15	14 7/8" (378)	1 1/2" (38)

Product Information is Subject to Change Without Notice