

SUBMITTALSHEET

Form Number: R6002

Effective Date 10/13

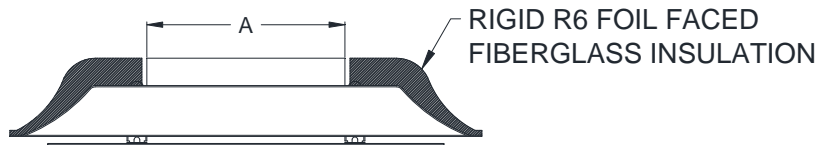
NEW

JOB NAME _____
 ARCHITECT _____
 ENGINEER _____
 CONTRACTOR _____
 LOCATION _____

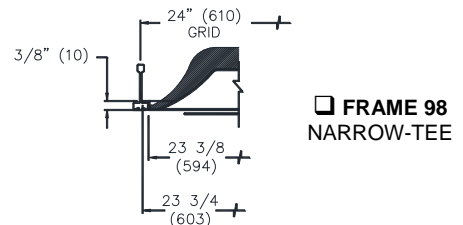
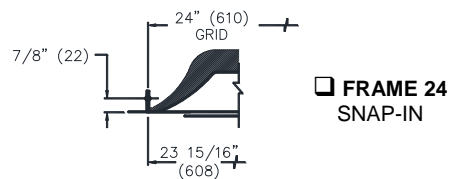
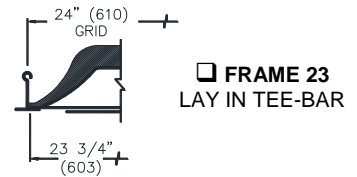
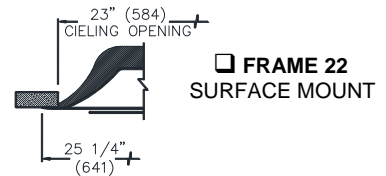
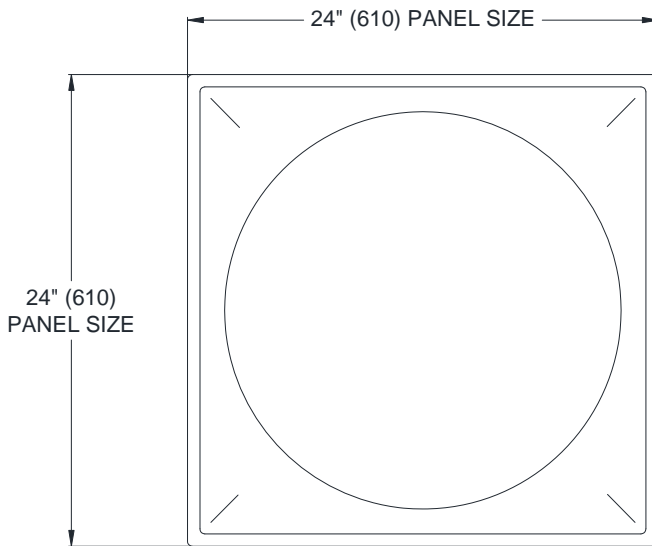


SERIES PLQR 24" x 24" ROUND FACE – ROUND NECK WITH R-6 INSULATION

CROSS SECTION



FACE VIEW



NOTES :

1. PLQR CONSTRUCTION IS STEEL
2. R6 RIGID FOIL FACED FIBERGLASS INSULATION HAS AN R-VALUE OF 6
3. STANDARD FINISH IS 44 – BRITISH WHITE
4. INSULATION P/N: 72413401

ACCESSORIES:

- DAMPERS ARE TO BE ORDERED SEPARATELY

NOMINAL NECK SIZE	A
6	5 7/8" (149)
8	7 7/8" (200)
10	9 7/8" (251)
12	11 7/8" (302)
14	13 7/8" (352)
15	14 7/8" (378)