

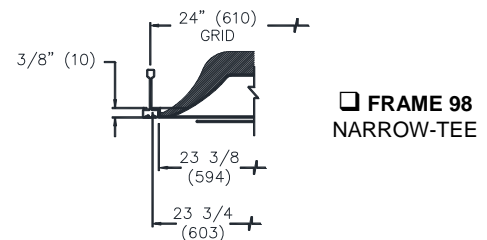
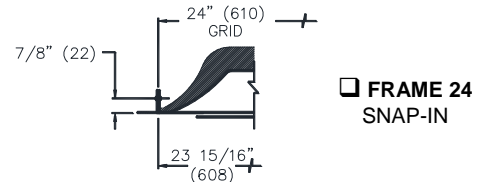
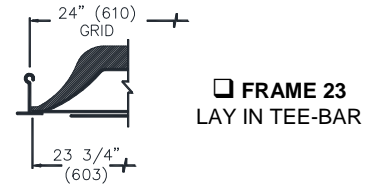
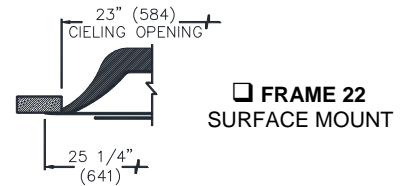
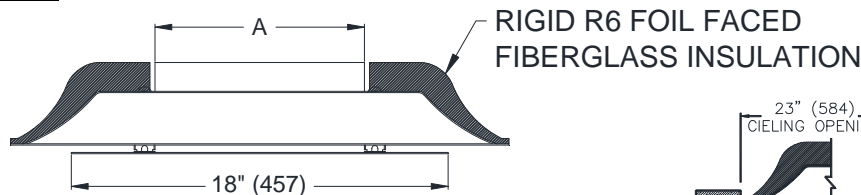
JOB NAME _____
 ARCHITECT _____
 ENGINEER _____
 CONTRACTOR _____
 LOCATION _____

SUBMITTALSHEET
 Form Number: R6001 Effective Date 7/13
 NEW

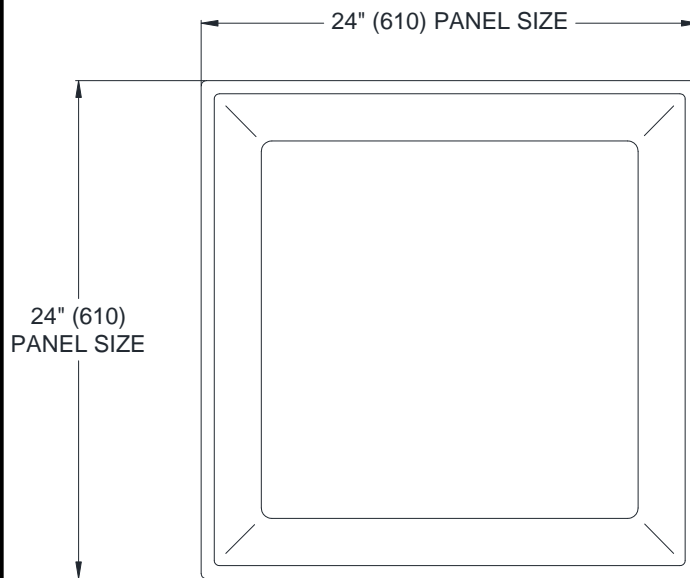


SERIES PLQ & 5PLQ
24" x 24" SQUARE FACE – ROUND NECK WITH R-6 INSULATION

CROSS SECTION



FACE VIEW



NOTES :

1. PLQ CONSTRUCTION IS STEEL
2. 5PLQ CONSTRUCTION IS ALUMINUM
3. R6 RIGID FOIL FACED FIBERGLASS INSULATION HAS AN R-VALUE OF 6
4. STANDARD FINISH IS 44 - BRITISH WHITE
5. SEE FORM 3403.1 FOR PATTERN BLANK OFF DETAILS
6. INSULATION P/N: 72413401

ACCESSORIES:

- DAMPERS ARE TO BE ORDERED SEPARATELY

NOMINAL NECK SIZE	A
6	5 7/8" (149)
8	7 7/8" (200)
10	9 7/8" (251)
12	11 7/8" (302)
14	13 7/8" (352)
15	14 7/8" (378)