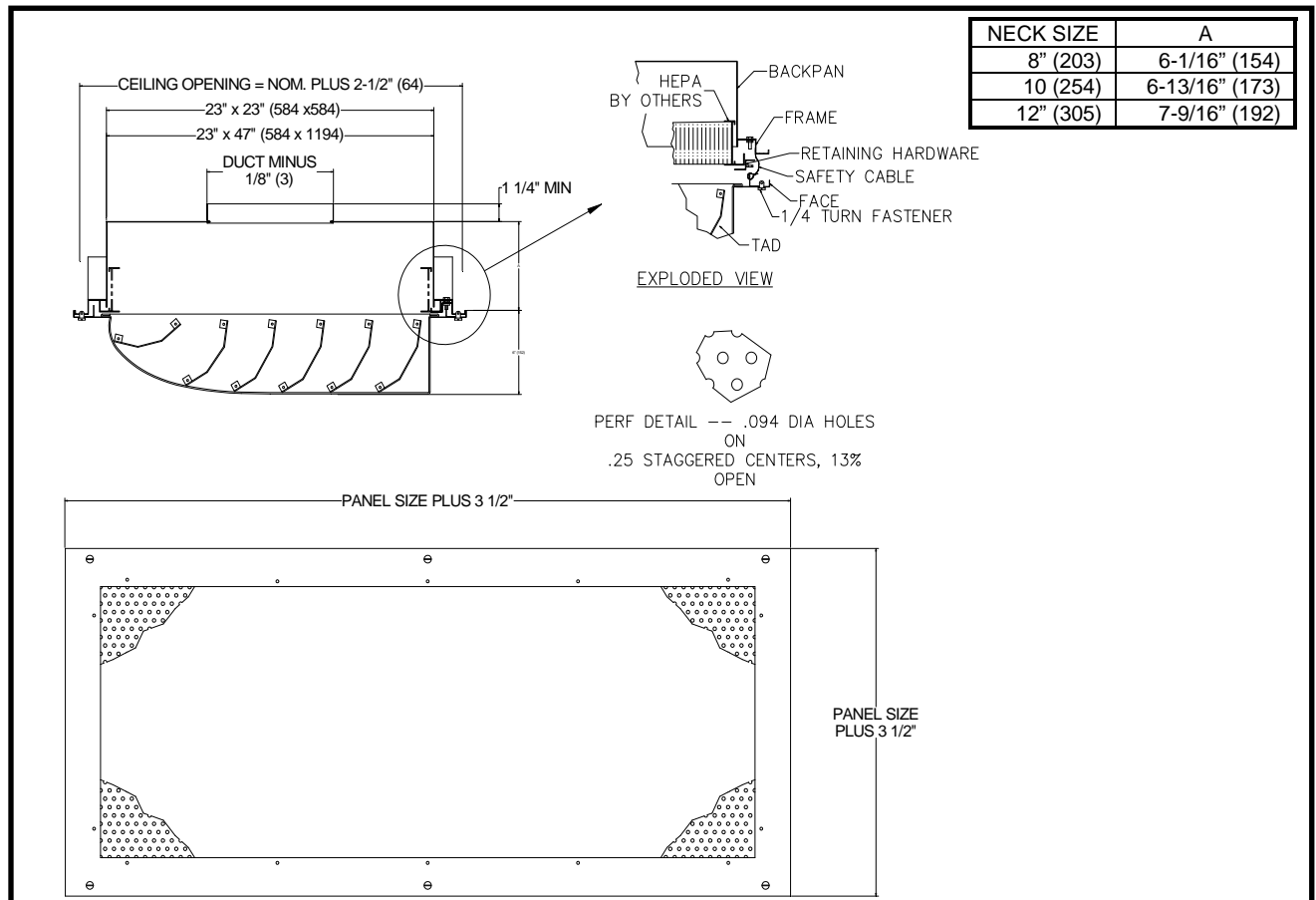


JOB NAME \_\_\_\_\_  
 ARCHITECT \_\_\_\_\_  
 ENGINEER \_\_\_\_\_  
 CONTRACTOR \_\_\_\_\_  
 LOCATION \_\_\_\_\_

**SUBMITTAL SHEET**  
 Form Number DS0204 Effective Date 2/13  
 Replaces NEW



## TADHF SERIES - Total Air Diffuser, Drop Face for Surface Mount One Way Air Pattern



NECK SIZE	A
8" (203)	6-1/16" (154)
10 (254)	6-13/16" (173)
12" (305)	7-9/16" (192)

**NOTES:**

1. Available in Aluminum and Stainless Steel Standard construction
2. Standard finish is 44 British White for Aluminum and 01 Mill for Stainless Steel.
3. Available neck sizes - 8" (203), 10" (254) or 12" (305).
4. Available panel sizes - 24 x 24 (610 x 610) and 48 x 24 (1219 x 610).
5. Retainer cables are standard (4 per unit).
6. Total Air diffuser is a trademark of Total Air, Inc.
7. The Total Air Diffuser is a patented device (U.S. Patent 4,616,558)
8. Recommended filter: AAF AstroCel II LPD Series 85 or equal.

**DIMENSIONS ARE SHOWN  
 AS INCHES (mm)**