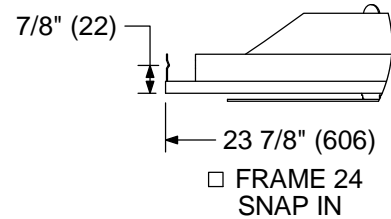
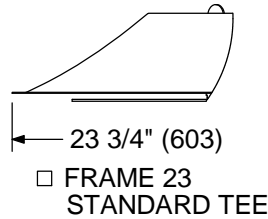
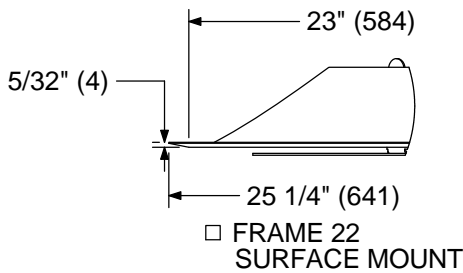
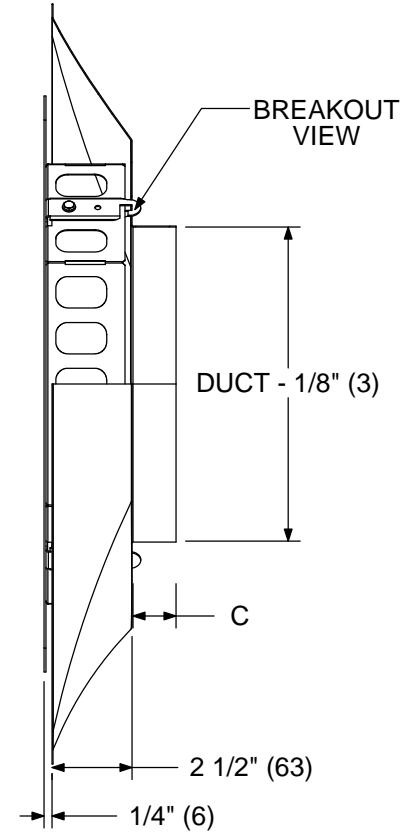
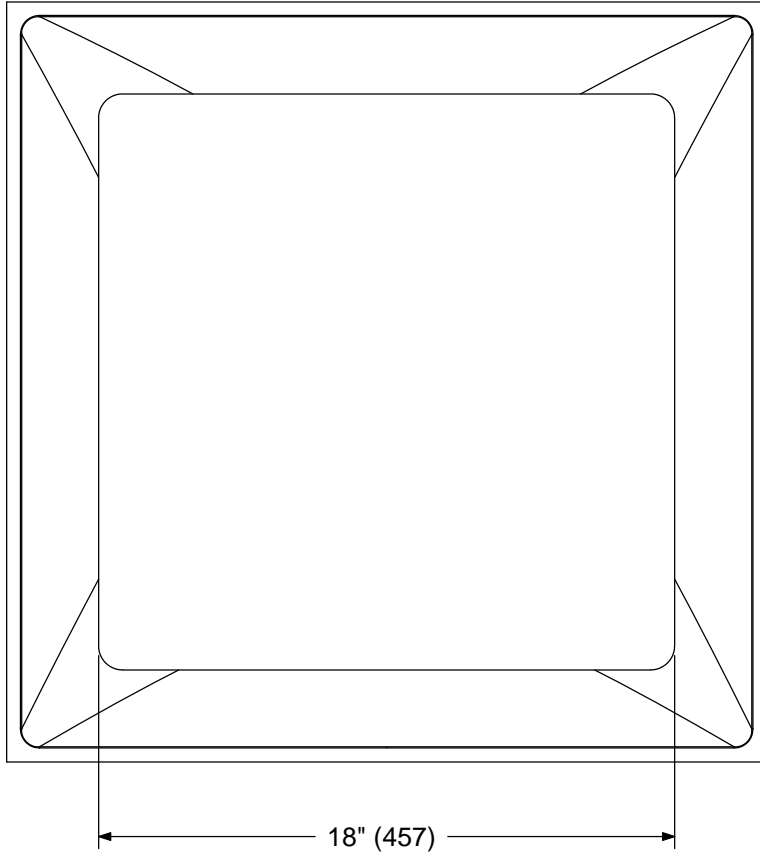


PLQIMP

24 x 24 PANEL, ROUND NECK, STEEL

SUBMITTAL SHEET



NOTES:

1. 22 GA. STEEL W/ 16 GA PLAQUE
2. STANDARD FINISH IS #44 WHITE

NOMINAL DUCT SIZES					
	6	8	10	12	14
	(152)	(203)	(254)	(305)	(356)
C	1 1/8" (29)	1 1/4" (32)	1 3/8" (35)	1 3/8" (35)	1 3/8" (35)

