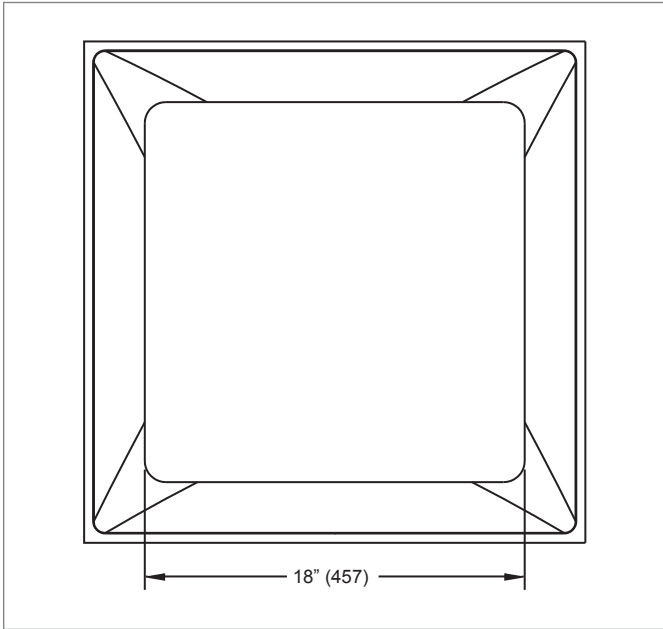
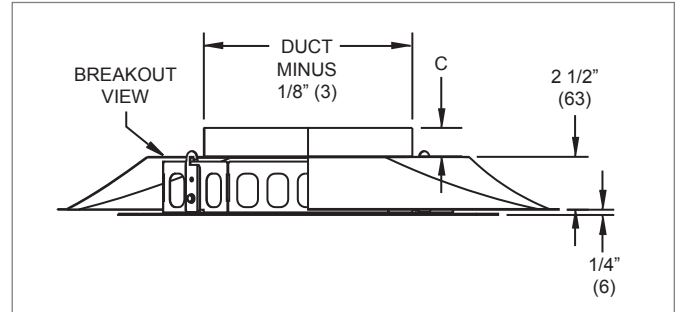
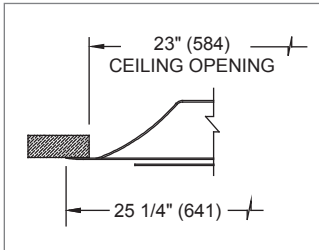
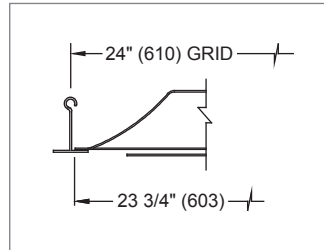
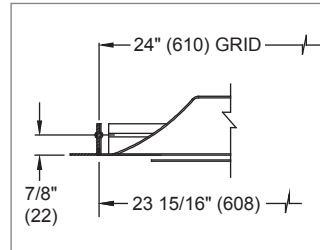
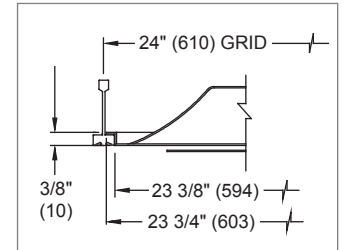


PLQIMP Dimensional Information
PLQIMP, FACE VIEW

PLQIMP, SIDE VIEW

PLQIMP, AVAILABLE NECK SIZES

24" x 24" Panel	
Nominal Duct Size	C
6" (152)	1 1/8" (29)
8" (203)	1 1/4" (32)
10" (254)	1 3/8" (35)
12" (305)	1 3/8" (35)
14" (356)	1 3/8" (35)

NOTE: Dimensions in parentheses are mm.

ARCHITECTURAL & PLAQUE DIFFUSERS

PLQIMP Frame Styles
**PLQIMP, FRAME 22,
24"x24" PANEL,
SURFACE MOUNT**

**PLQIMP, FRAME 23,
24"x24" PANEL,
LAY-IN T-BAR**

**PLQIMP, FRAME 24,
24"x24" PANEL,
SNAP-IN T-BAR**

**PLQIMP, FRAME 98,
24"x24" PANEL,
NARROW-T**


NOTE: Dimensions in parentheses are mm.