

### Introduction: APT

The APA above ceiling chilled beam is the perfect solution for spaces requiring sensible cooling loads where the ceiling has an open grid or perforated panels.

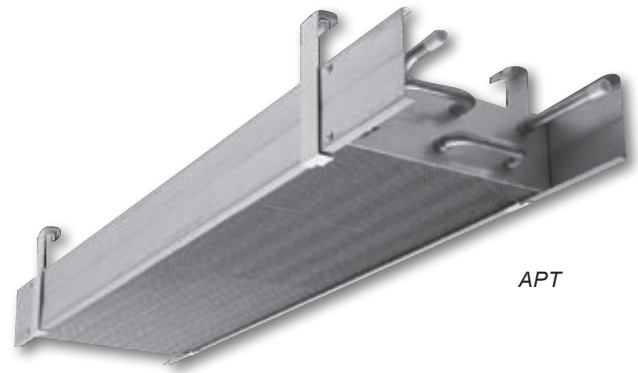
#### MODEL

APT - Passive Above Ceiling Mount Chilled Beam

#### FEATURED OPTIONS

(See **STANDARD OPTIONS** on Page C3-37)

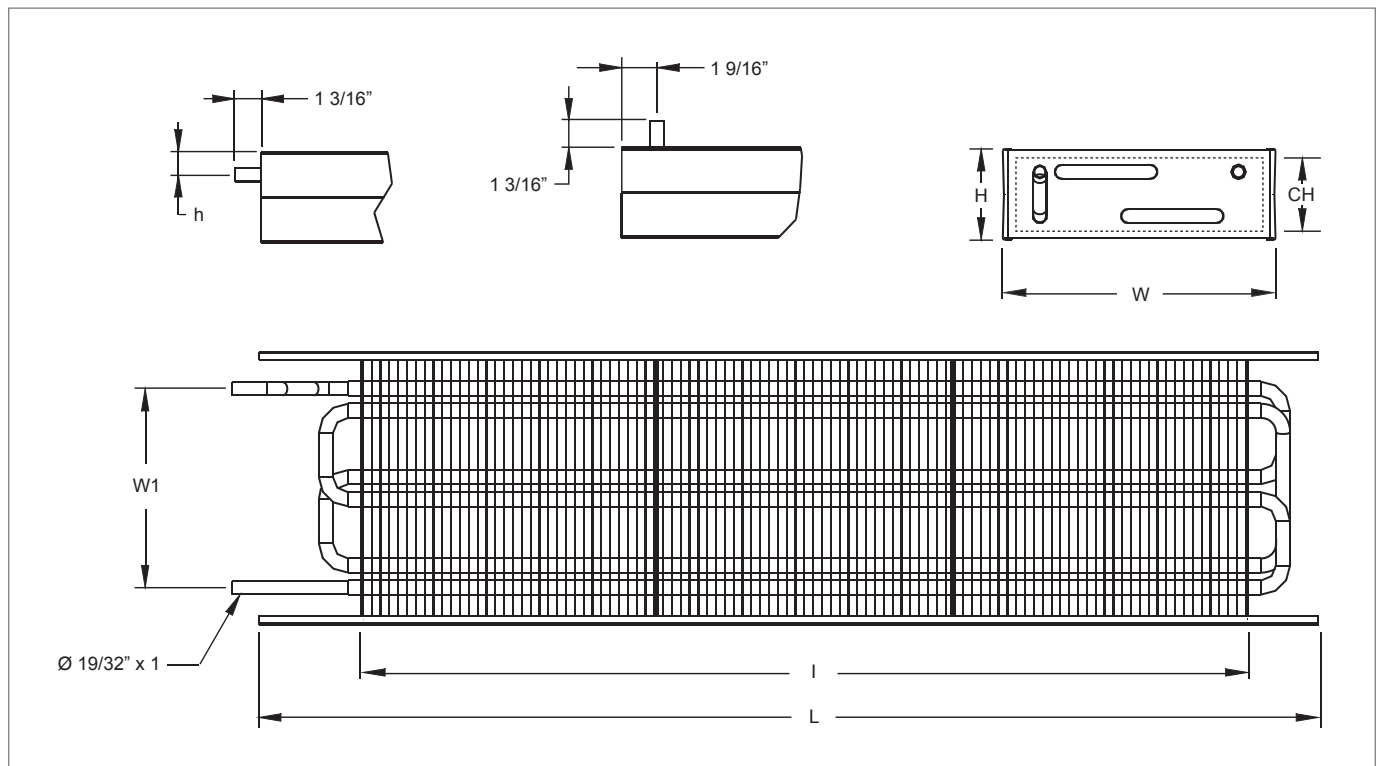
- 3" or 6" coil height.
- Available in lengths from 48" to 200" (4" increments).
- 12", 18", or 24" unit width.
- 1 or 2 loop water coil.
- Custom color matching available.
- Front or top coil connection.
- Factory mounted 2-way control valve.
- RAL 9005, black painted 4", 8", or 12" skirt.



APT

### APT Dimensional Data

#### APT TOP & SIDE VIEWS



#### APT DIMENSIONAL REFERENCES

W	H	CH	h	W1	I	L
12"	4"	3"	$1\frac{19}{32}"$	9"	40" - 189"	I + 8"
18"				15"		
24"				21"		
12"	6"	4"	$1\frac{3}{16}"$	9"	40" - 189"	I + 8"
18"				15"		
24"				21"		