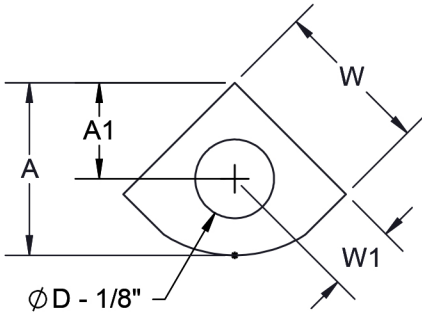
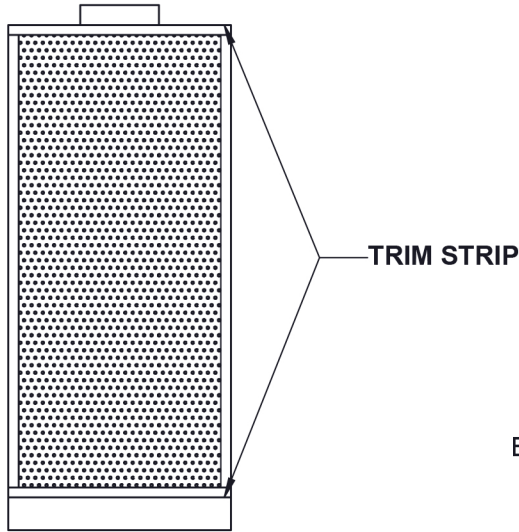
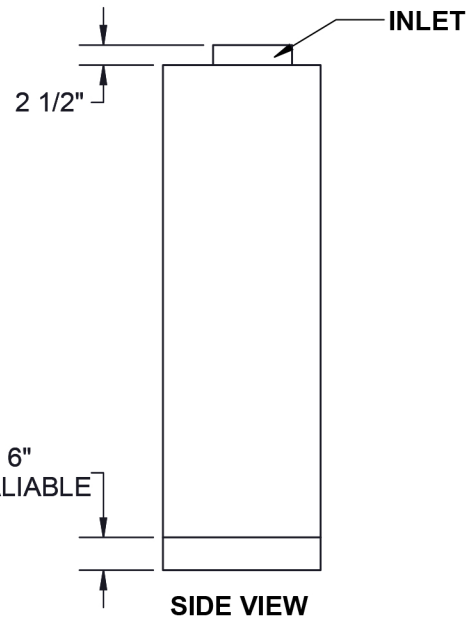


AFQ - DISPLACEMENT VENTILATION

TOP VIEW

FRONT VIEW

SIDE VIEW

DIFFUSER DIMENSIONS						
AFQ Size (Unit Size)	W	W1	H	A	A1	ØD
08" x 23"	8 1/16"	3 7/16"	23 5/8"	8 13/16"	4 13/16"	4"
10" x 23"	9 1/4"	3 7/8"	23 5/8"	10 1/16"	5 1/2"	5"
12" x 31"	10 13/16"	4 3/16"	31 1/2"	11 3/4"	5 15/16"	6"
14" x 47"	13"	5 5/16"	47 1/4"	14"	7 1/2"	8"
16" x 47"	15 3/8"	6 3/8"	47 1/4"	16 7/16"	9"	10"
19" x 59"	18 11/16"	7 5/8"	59 1/16"	19 9/16"	10 13/16"	12"
24" x 71"	23 1/16"	9 5/16"	70 7/8"	24 1/4"	13 3/16"	16"
29" x 71"	28 9/16"	11 3/4"	70 7/8"	29 13/16"	16 9/16"	20"
36" x 71"	35 1/16"	14 3/16"	70 7/8"	36 7/16"	20 1/8"	24"

STANDARD FEATURES:

- 20 GA front panel.
- Horizontal low velocity discharge at floor level.
- Corner installation with a 90° supply angle.
- Detachable front plate and removable baffle enables cleaning of the unit and duct work.
- Round duct connection with integral gasket on top or bottom of the diffuser.

OPTIONAL FEATURES:

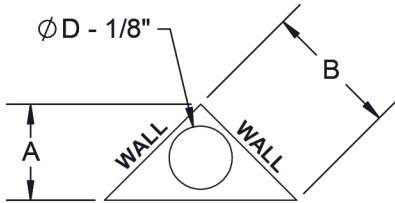
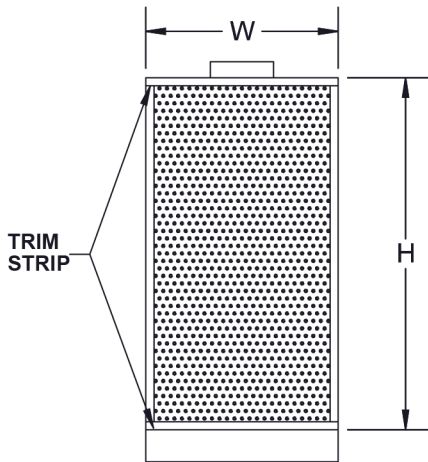
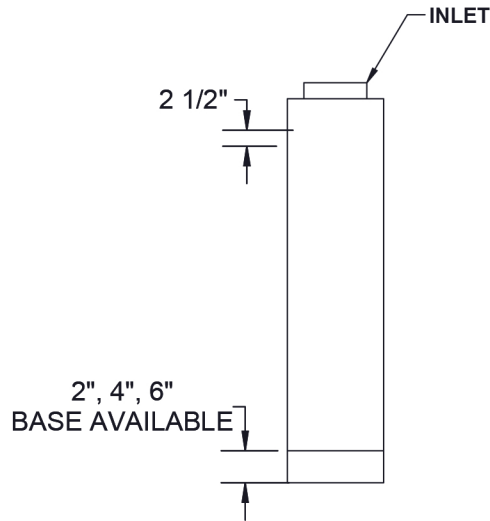
- | | | |
|--|--|--|
| ➤ Installation Base:
<input type="checkbox"/> None
<input type="checkbox"/> 2" Base Height
<input type="checkbox"/> 4" Base Height
<input type="checkbox"/> 6" Base Height

➤ Trim Strip
<input type="checkbox"/> White Vinyl <input type="checkbox"/> Black Vinyl
<input type="checkbox"/> Metal (Painted to Match) | ➤ Material
<input type="checkbox"/> Galvanized
<input type="checkbox"/> Stainless Steel

➤ Front Panel Thickness
<input type="checkbox"/> 20 GA. Front Panel
<input type="checkbox"/> 16 GA. Front Panel | ➤ Duct Cover
<input type="checkbox"/> Perforated
Length _____
<input type="checkbox"/> Solid
Length _____

➤ Finish
_____ |
|--|--|--|

AFQ - DISPLACEMENT VENTILATION


TOP VIEW

FRONT VIEW

SIDE VIEW
DIFFUSER DIMENSIONS

AFQ Size (Nominal W x H)	W	H	A	B	ØD
24" x 24"	24"	24"	12"	17"	8"
24" x 36"	24"	36"	12"	17"	8"
24" x 48"	24"	48"	12"	17"	8"
24" x 60"	24"	60"	12"	17"	8"
24" x 72"	24"	72"	12"	17"	8"
30" x 24"	30"	24"	15"	21 1/4"	8", 10"
30" x 36"	30"	36"	15"	21 1/4"	8", 10"
30" x 48"	30"	48"	15"	21 1/4"	10"
30" x 60"	30"	60"	15"	21 1/4"	10"
30" x 72"	30"	72"	15"	21 1/4"	10"
36" x 24"	36"	24"	18"	25 1/2"	10", 12"
36" x 36"	36"	36"	18"	25 1/2"	12"
36" x 48"	36"	48"	18"	25 1/2"	12"
36" x 60"	36"	60"	18"	25 1/2"	12"
36" x 72"	36"	72"	18"	25 1/2"	12"

STANDARD FEATURES:

- 20 GA front panel.
- Horizontal low velocity discharge at floor level.
- Corner installation with a 90° supply angle.
- Detachable front plate and removable baffle enables cleaning of the unit and duct work.
- Round duct connection with integral gasket on top or bottom of the diffuser.

OPTIONAL FEATURES:

- | | | |
|--|--|--|
| > Installation Base:
<input type="checkbox"/> None
<input type="checkbox"/> 2" Base Height
<input type="checkbox"/> 4" Base Height
<input type="checkbox"/> 6" Base Height

> Trim Strip
<input type="checkbox"/> White Vinyl <input type="checkbox"/> Black Vinyl
<input type="checkbox"/> Metal (Painted to Match) | > Material
<input type="checkbox"/> Galvanized
<input type="checkbox"/> Stainless Steel

> Front Panel Thickness
<input type="checkbox"/> 20 GA. Front Panel
<input type="checkbox"/> 16 GA. Front Panel | > Duct Cover
<input type="checkbox"/> Perforated
Length _____
<input type="checkbox"/> Solid
Length _____

> Finish
_____ |
|--|--|--|

Revision Date: 09/12
Form: AFQ_Submittal_01
Replaces: AFQ_Submittal