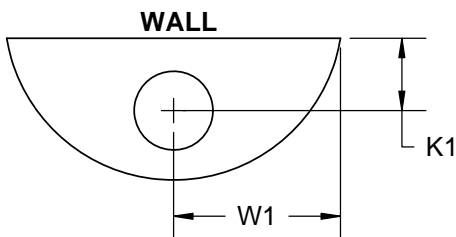
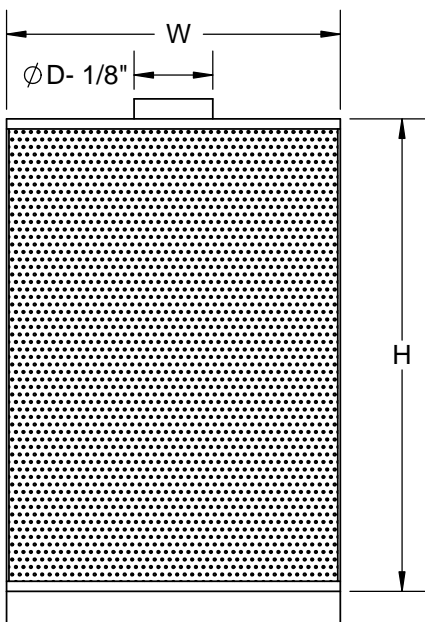
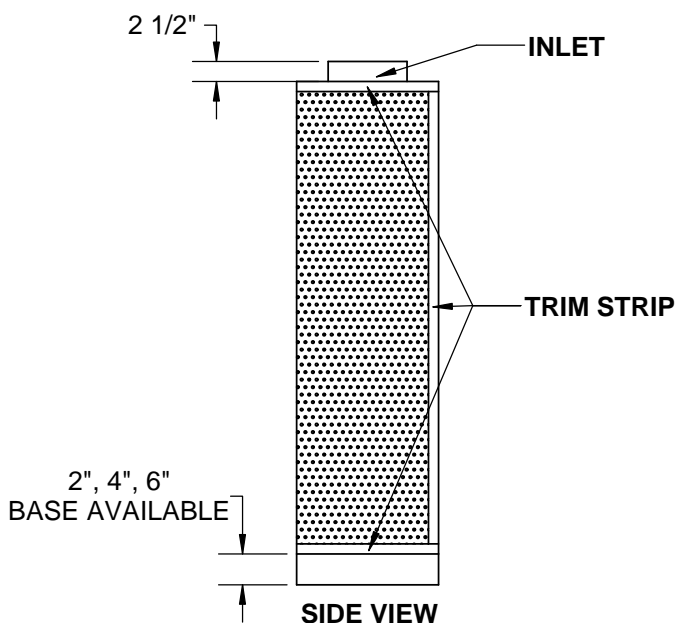


# SUBMITTAL SHEET

## AFP - DISPLACEMENT VENTILATION

## STANDARD FEATURES:

- 20 GA front panel.
- Horizontal low velocity discharge at floor level.
- Flow pattern at an angle of 180° enables large coverage with low residual velocities in the occupied zone.
- Detachable front plate and removable baffle enables cleaning of the unit and duct work.
- Round duct connection with integral gasket at the top or bottom of the diffuser.


**TOP VIEW**

**FRONT VIEW**

**SIDE VIEW**
**DIFFUSER DIMENSIONS**

AFP Size (Nominal Dia x H)	W	H	ØD	W1	K1	AFP Size (Nominal Dia x H)	W	H	ØD	W1	K1
17" x 23"	16 11/16"	23 5/8"	4"	8 3/8"	3 5/8"	24" x 36"	24"	36"	8", 10"	12"	5 5/16"
18" x 24"	18"	24"	6", 7"	9"	3 15/16"	24" x 48"	24"	48"	8", 10"	12"	5 5/16"
18" x 36"	18"	36"	6", 7"	9"	3 15/16"	24" x 60"	24"	60"	8", 10"	12"	5 5/16"
18" x 48"	18"	48"	6", 7"	9"	3 15/16"	30" x 24"	30"	24"	10", 12"	15"	6 5/8"
19" x 23"	19 1/16"	23 5/8"	5"	9 1/2"	4"	30" x 36"	30"	36"	10", 12"	15"	6 5/8"
23" x 31"	23"	31 1/2"	6"	11 1/2"	4 13/16"	30" x 48"	30"	48"	10", 12"	15"	6 5/8"
24" x 24"	24"	24"	8", 10"	12"	5 5/16"	30" x 60"	30"	60"	10", 12"	15"	6 5/8"

## OPTIONAL FEATURES:

- |  |   |   |
|--|---|---|
| ➤ Installation Base:<br><input type="checkbox"/> None<br><input type="checkbox"/> 2" Base Height<br><input type="checkbox"/> 4" Base Height<br><input type="checkbox"/> 6" Base Height | ➤ Material<br><input type="checkbox"/> Galvanized<br><input type="checkbox"/> Stainless Steel                         | ➤ Duct Cover<br><input type="checkbox"/> Perforated<br>Length _____<br><input type="checkbox"/> Solid<br>Length _____ |
| ➤ Trim Strip<br><input type="checkbox"/> White Vinyl <input type="checkbox"/> Black Vinyl<br><input type="checkbox"/> Metal (Painted to Match)   | ➤ Front Panel Thickness<br><input type="checkbox"/> 20 GA. Front Panel<br><input type="checkbox"/> 16 GA. Front Panel | ➤ Finish<br>_____   |

Revision Date: 5/13

Form: AFP\_Submittal\_02

Replaces: AFP\_Submittal\_01

Product Information is Subject to Change Without Notice