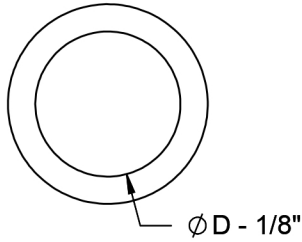
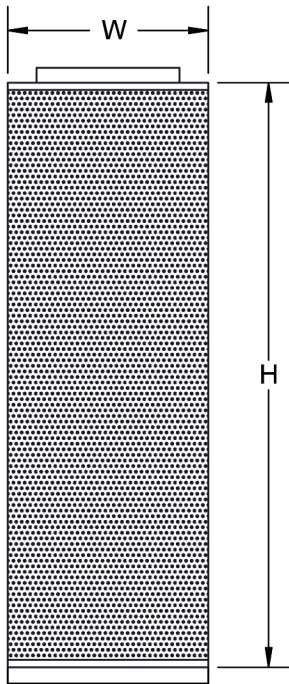
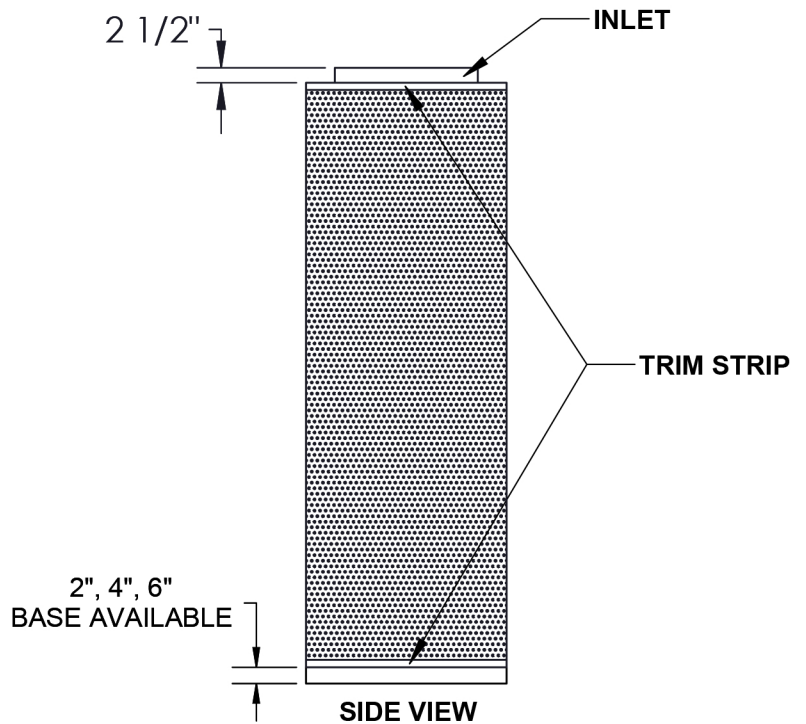


AFC - DISPLACEMENT VENTILATION

TOP VIEW

FRONT VIEW

SIDE VIEW

 2, 4, 6"
 BASE AVAILABLE

DIFFUSER DIMENSIONS			
AFC Size (Nominal Dia. X H)	W	H	ØD
12"x40"	11 1/4"	39 3/8"	8"
14"x48"	13 1/4"	47 1/4"	10"
16"x48"	16"	47 1/4"	12"
20"x71"	19 15/16"	70 7/8"	16"
25"x71"	25"	70 7/8"	20"
32"x71"	31 13/16"	71"	24"

ADDITIONAL DIFFUSER SIZES		
W	H	ØD
12" Dia.	12" - 48"	8"
18" Dia.	12" - 48"	14"
24" Dia.	12" - 60"	14", 16"
30" Dia.	24" - 60"	14", 16", 18"
36" Dia.	24" - 48"	14", 16", 18"

NOTE: 'H' is in 2" increments

STANDARD FEATURES:

- 20 GA. front panel
- Horizontal low velocity discharge at floor level, suitable for mid-space applications.
- Flow pattern at an angle of 360° enables large airflow rates with low residual velocities in the occupied zone.
- Detachable front plate and removable baffle enables cleaning of the unit and duct work.
- Round duct connection with integral rubber gasket on the top or bottom of the diffuser

OPTIONAL FEATURES:

- | | | |
|---|--|---|
| <ul style="list-style-type: none"> ➤ Installation Base: <ul style="list-style-type: none"> <input type="checkbox"/> None <input type="checkbox"/> 2" Base Height <input type="checkbox"/> 4" Base Height <input type="checkbox"/> 6" Base Height ➤ Trim Strip <ul style="list-style-type: none"> <input type="checkbox"/> White Vinyl <input type="checkbox"/> Black Vinyl <input type="checkbox"/> Metal (Painted to Match) | <ul style="list-style-type: none"> ➤ Material <ul style="list-style-type: none"> <input type="checkbox"/> Galvanized <input type="checkbox"/> Stainless Steel ➤ Front Panel Thickness <ul style="list-style-type: none"> <input type="checkbox"/> 20 GA. Front Panel <input type="checkbox"/> 16 GA. Front Panel | <ul style="list-style-type: none"> ➤ Duct Cover <ul style="list-style-type: none"> <input type="checkbox"/> Perforated
Length _____ <input type="checkbox"/> Solid
Length _____ ➤ Finish
_____ |
|---|--|---|

 Revision Date: **09/12**

 Form: **AFC_Submittal_01**

 Replaces: **AFC_SUBMITTAL**