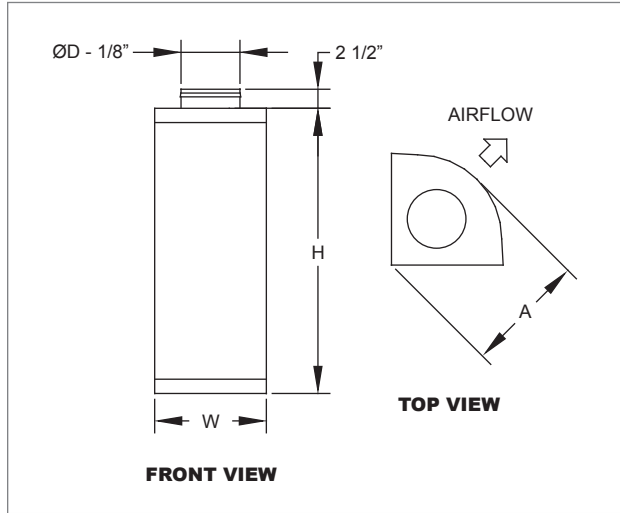


AFQ Dimensional Information

AFQ FRONT AND TOP VIEWS



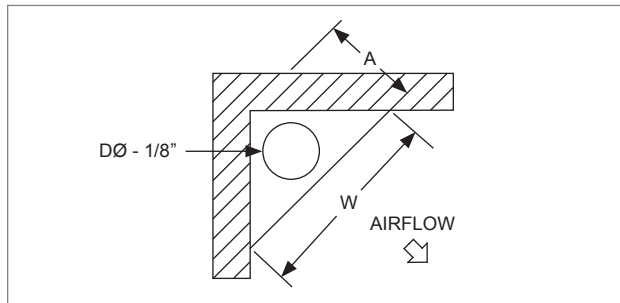
AFQ DIMENSIONAL REFERENCES

AFQ Size (Unit Size)	W	H	A	ØD
08"x23"	8 1/16"	23 5/8"	8 13/16"	4"
10"x23"	9 1/4"	23 5/8"	10 1/16"	5"
12"x31"	10 13/16"	31 1/2"	11 3/4"	6"
14"x47"	13"	47 1/4"	14"	8"
16"x47"	15 3/8"	47 1/4"	16 7/16"	10"
19"x59"	18 11/16"	59 1/16"	19 9/16"	12"
24"x71"	23 1/16"	70 7/8"	24 1/4"	16"
29"x71"	28 9/16"	70 7/8"	29 13/16"	20"
36"x71"	35 1/16"	70 7/8"	36 7/16"	24"

AFQ FLAT FACE DIMENSIONAL REFERENCES

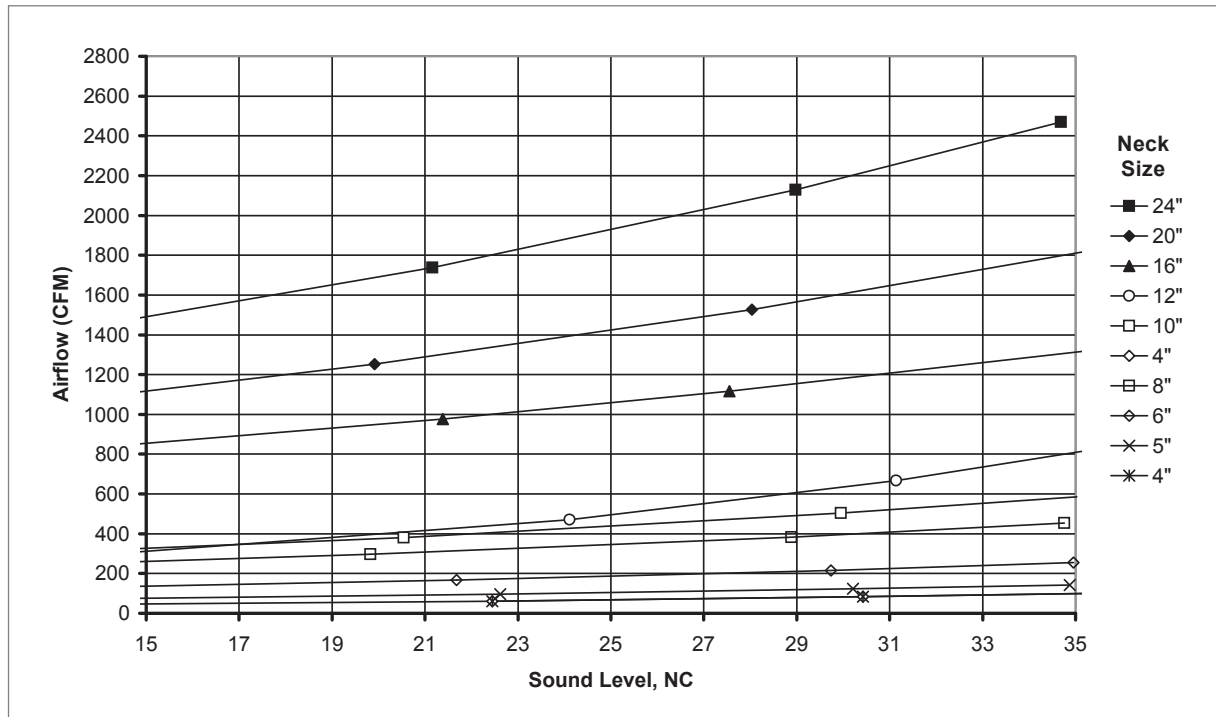
AFQ Size (W x H)	W	H	A	ØD
24"x24"	24"	24"	12"	8"
24"x36"	24"	36"	12"	8"
24"x48"	24"	48"	12"	8"
24"x60"	24"	60"	12"	8"
24"x72"	30"	72"	12"	8"
30"x24"	30"	24"	15"	8", 10"
30"x36"	30"	36"	15"	8", 10"
30"x48"	30"	48"	15"	10"
30"x60"	30"	60"	15"	10"
30"x72"	36"	72"	15"	10"
36"x24"	36"	24"	18"	10", 12"
36"x36"	36"	36"	18"	12"
36"x48"	36"	48"	18"	12"
36"x60"	36"	60"	18"	12"
36"x72"	36"	72"	18"	12"

AFQ FLAT FACE TOP VIEW



AFQ Reference Chart

AIRFLOW VS. NC LEVEL: AFQ SERIES



DISPLACEMENT VENTILATION

AFQ

© KRUEGER 2012