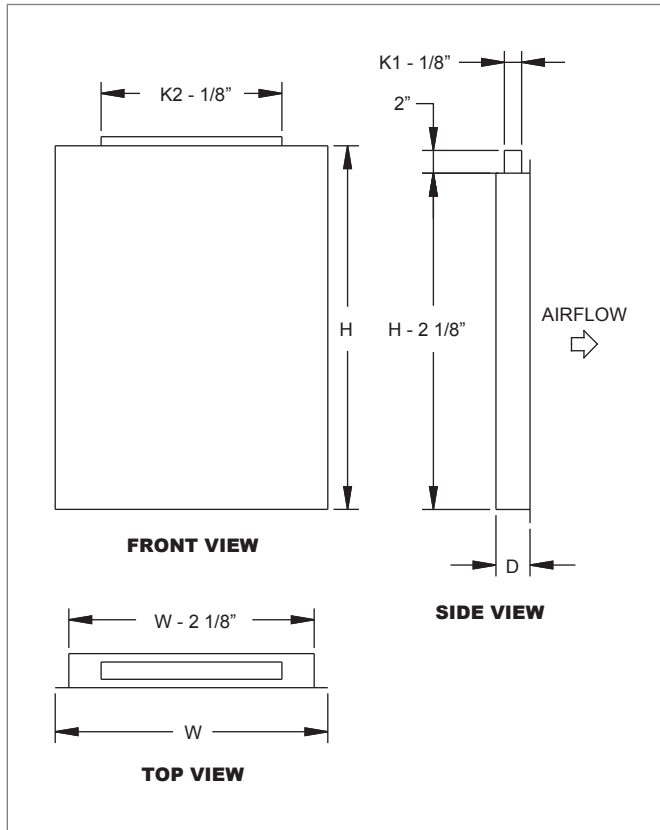


AFE Dimensional Information
AFE FRONT AND SIDE VIEWS

AFE DIMENSIONAL REFERENCES

AFE Size (Nominal WxH)	W	H	D	K1	K2
24"x24"	23 5/8"	23 5/8"	2 5/9"	1 1/9"	15 11/16"
24"x32"	23 5/8"	31 1/2"	2 15/16"	1 1/2"	15 11/16"
24"x39"	23 5/8"	39 3/8"	3 3/4"	2 2/7"	15 11/16"
24"x47"	23 5/8"	47 1/4"	4 1/2"	3 1/16"	15 11/16"
15"x24"	15"	24"	3 1/2"	2 1/2"	12"
15"x30"	15"	30"	3 1/2"	2 1/2"	12"
15"x36"	15"	36"	3 1/2"	2 1/2"	12"
15"x48"	15"	48"	3 1/2"	2 1/2"	12"
23"x24"	23"	24"	3 1/2"	2 1/2"	18"
23"x30"	23"	30"	3 1/2"	2 1/2"	18"
23"x36"	23"	36"	3 1/2"	2 1/2"	18"
23"x48"	23"	48"	3 1/2"	2 1/2"	18"
24"x30"	24"	30"	3 1/2"	2 1/2"	18"
24"x36"	24"	36"	3 1/2"	2 1/2"	18"
24"x48"	24"	48"	3 1/2"	2 1/2"	18"
30"x24"	30"	24"	3 1/2"	2 1/2"	18"
36"x24"	36"	24"	3 1/2"	2 1/2"	18"
48"x24"	48"	24"	3 1/2"	2 1/2"	18"

DISPLACEMENT VENTILATION

AFE Reference Chart
AIRFLOW VS. NC LEVEL: AFE SERIES
