

## Introduction: AFE

The *Krueger by Halton* AFE provides a low velocity pattern that is ideal for flush mount, shallow applications. Mostly used in walls, this unit can also be installed in lay-in applications. The detachable face facilitates cleaning of the plenum and duct connections.

### MODEL

AFE - Flat-Faced, Low-Velocity Supply Unit

### FEATURES

- 20 gage front panel.
- Horizontal low velocity discharge at floor level.
- Easy integration into wall structure.
- Detachable panel enables cleaning of the unit and duct work.
- Rectangular duct connection at top/bottom of the unit.

### OPTIONS

- Face only.

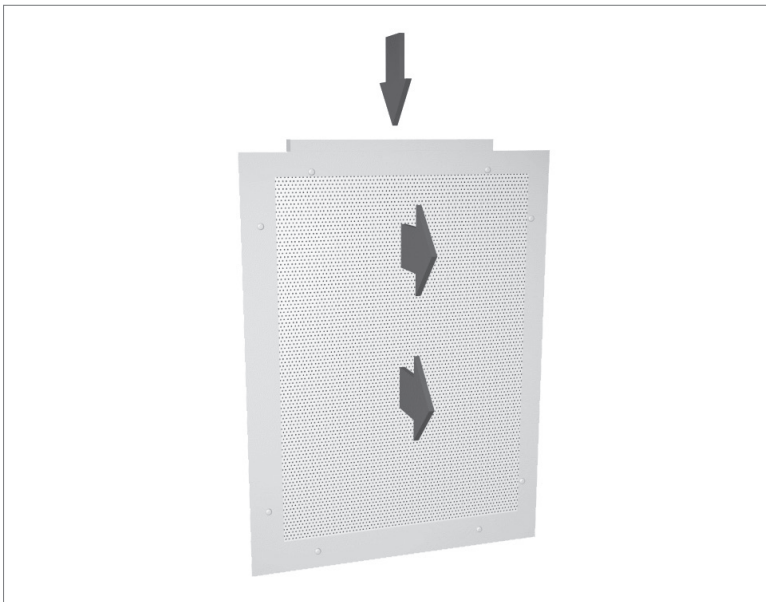
### FINISHES

- Standard is Polyester Painted White (RAL 9010).
- Custom colors available.



AFE

## AFE Application



### FUNCTION

Air is discharged into the space through the front panel of the unit, normally at a slightly lower temperature than setpoint.

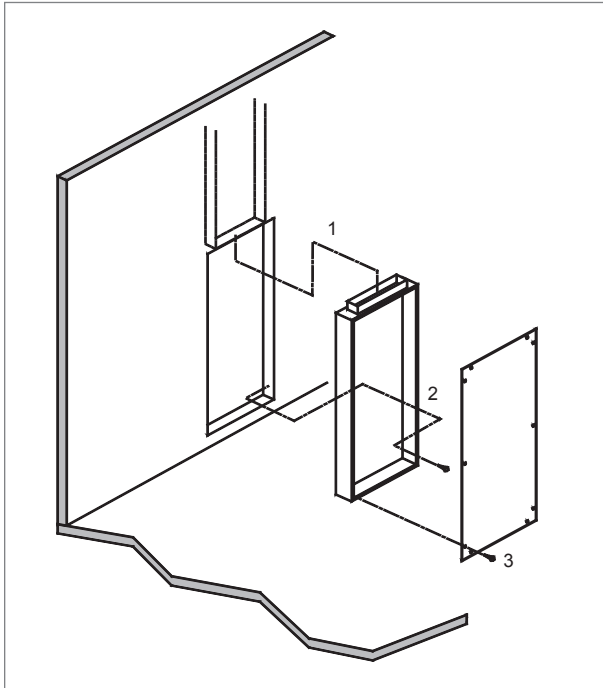
The supply air flows at floor level and gradually pervades through the occupied space before rising due to the convection of warm surfaces.

The low velocity flow pattern is directed perpendicular to the face.

*NOTES: The flow pattern data has been defined for floor installation. (1) Duct cover is for covering the duct work and is optional. (2) Installation base is used to raise the unit off the floor and is also optional.*

**AFE Application & Installation**

**INSTALLATION EXPLODED VIEW**

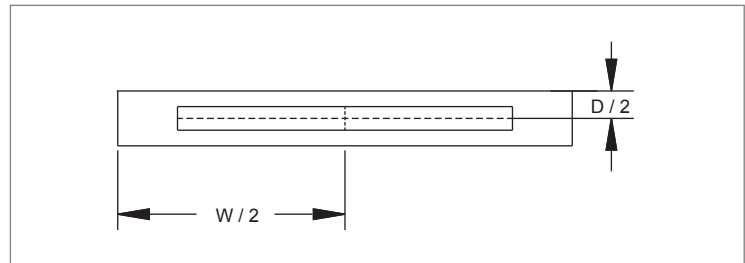


**INSTALLATION**

Perform the installation in order.

1. Locate the diffuser within the wall space and connect the duct work.
2. Fix the diffuser to the wall from inside the casing.
3. Screw the front plate to the casing and hide the screws with the plastic plugs supplied with the diffuser.

**DUCT INSTALLATION**



NOTES: See next page for 'D' and 'W' dimensions.

DISPLACEMENT VENTILATION

**AFE Service & Maintenance**

**SERVICING**

Open the front panel (3) by unscrewing the screws (2) under the cover plugs (1). Pull out the front panel. Clean the parts using a brush or damp cloth instead of immersing in water. Reassemble in reverse order when attaching the front panel to the casing (4).

Code	Description
1	Cover Plug
2	Screw
3	Front Panel
4	Casing

