

**Introduction: AFB**

The Krueger by Halton AFB is ideal for low velocity horizontal applications. It is well suited for integration into columns or similar architectural features within the space. The 180° discharge pattern is perfect for high traffic areas such as retail malls, gymnasiums, and offices. The detachable face facilitates easy cleaning of the internal baffle.

MODEL

AFB - U-Shaped, Low-Velocity Supply Unit

FEATURES

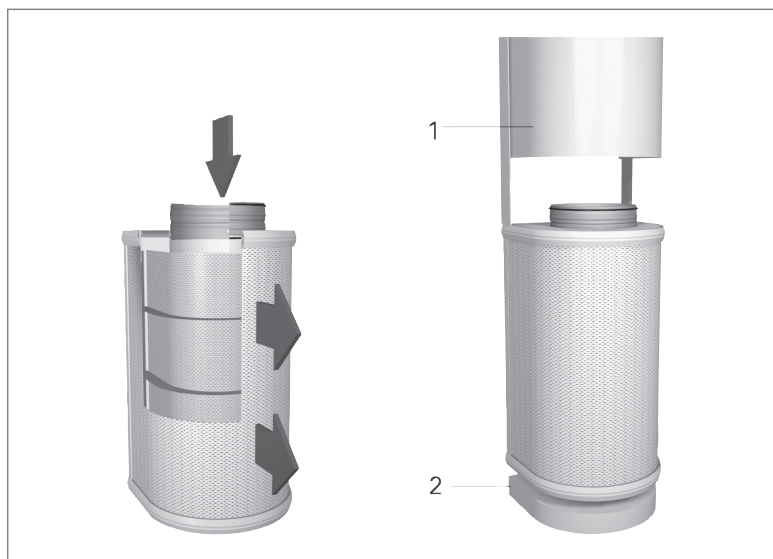
- 20 gage front panel.
- Horizontal low velocity discharge at floor level.
- Flow pattern at an angle of 180° enables large airflow rates with low residual velocities in the occupied zone.
- Detachable front panel and removable baffle enables cleaning of the unit and duct work.
- Round duct connection with integral gasket at the top or bottom of the diffuser.

OPTIONS

- Stainless steel (AISI 316) design.
- 16 gage front panel.
- Duct cover (solid or perforated).
- Installation base (2", 4", 6").
- Vinyl trim in white or black.
- Metal trim (painted to match).

FINISHES

- Standard is Polyester Painted White (RAL 9010).
- Custom colors available.

AFB Application**FUNCTION**

Air is discharged into the space through the front panel of the unit, normally at a slightly lower temperature than setpoint.

The supply air flows at floor level and gradually pervades through the occupied space before rising due to the convection of warm surfaces.

The low velocity flow pattern is semi-circular (180°).

NOTES: The flow pattern data has been defined for floor installation. (1) Duct cover is for covering the duct work and is optional. (2) Installation base is used to raise the unit off the floor and is also optional.