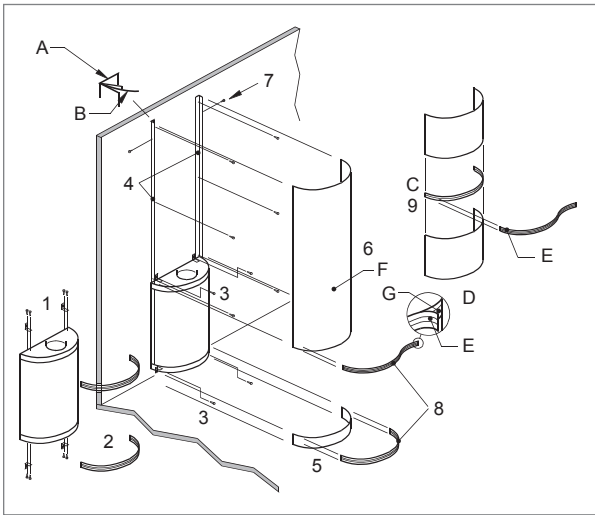


AFP Installation

INSTALLATION EXPLODED VIEW

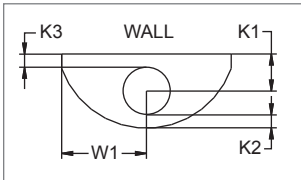


INSTALLATION

Perform the installation in order.

1. Fix mounting brackets (4 places) to low velocity unit.
2. Remove trim (E) from unit.
3. Locate unit against wall and secure through mounting brackets.
4. Fix duct cover support brackets (A) to wall between unit and ceiling.
5. Position base against lower flange of the unit.
6. After installation of duct work, locate duct cover as follows: Locate duct cover section (F) on top flange (G) of unit and firmly push into support brackets fixed to wall (B).
7. Secure duct cover with screws through cover into support brackets.
8. Re-fit trim between duct cover and unit, and between base and unit by bending trim back on itself (E) and pressing bead into groove in flange (G).
9. When multiple sections of duct cover are used (D), an aluminium coupling flange (C) is needed.

DUCT INSTALLATION



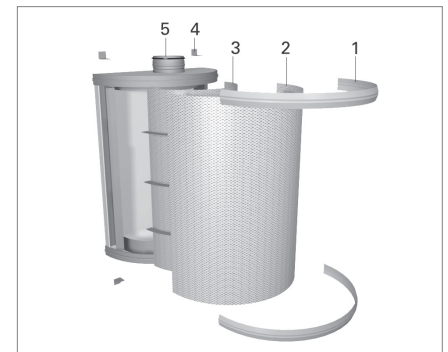
AFP Size (Nominal Dia x H)	W1	K1	K2	K3
14" x 23"	8 3/8"	3 5/8"	1 1/2"	1 5/8"
16" x 23"	9 1/2"	4"	1 9/16"	1 9/16"
20" x 31"	11 1/2"	4 13/16"	1 7/8"	1 5/8"

AFP Service & Maintenance

SERVICING

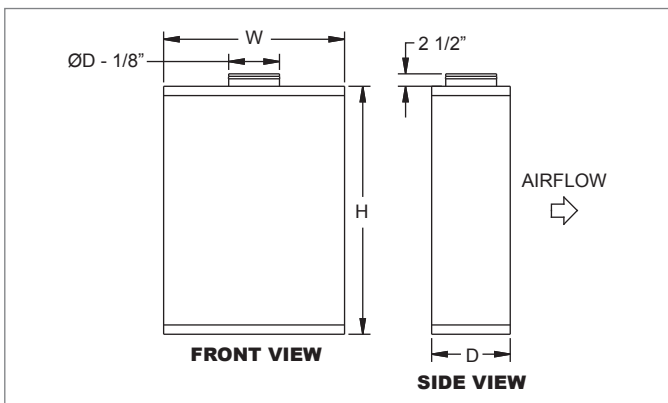
Open the front panel (2) by first removing the trim (1) and unscrewing the screws. Pull out the front panel. If required, the internal baffle (3) can be detached by unscrewing the fixing screws. Pull out the internal structure. Clean the parts with a brush or a damp cloth. After cleaning, reassemble in reverse order.

Code	Description
1	Trim
2	Front Panel
3	Internal Baffle
4	Assembly Brackets
5	Casing



AFP Dimensional Information

AFP FRONT AND SIDE VIEWS



AFP DIMENSIONAL REFERENCES

AFP Size (Nominal Dia x H)	W	H	D	ØD
14" x 23"	16 11/16"	23 5/8"	7 5/16"	4"
16" x 23"	19 1/16"	23 5/8"	8 1/4"	5"
20" x 31"	23"	31 1/2"	10 1/16"	6"

AFP ADDITIONAL SIZES AVAILABLE

Nominal Dia.	H	ØD
18" Dia.	24", 36", 48"	10", 12"
24" Dia.	24", 36", 48", 60"	14", 16"
30" Dia.	24", 36", 48", 60"	14", 16"