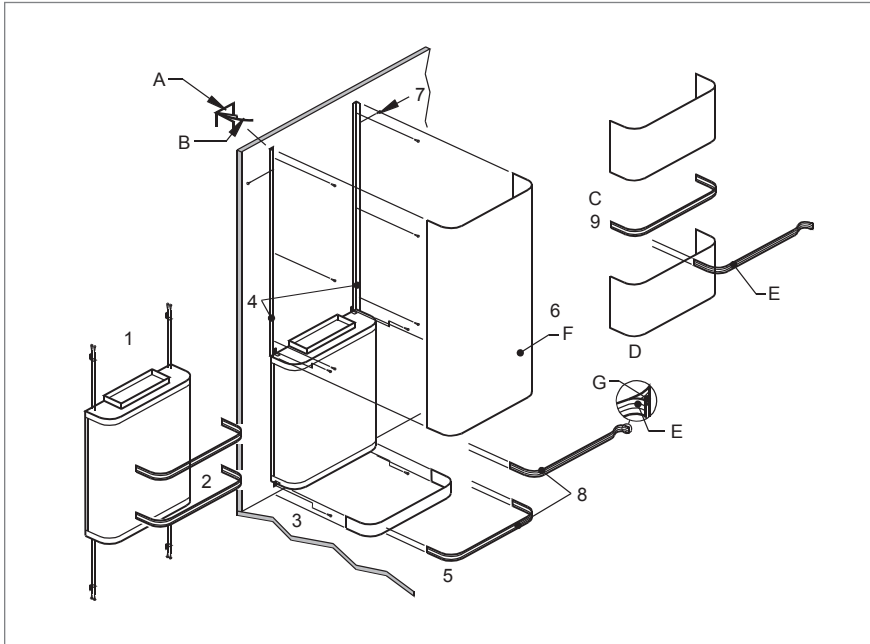


AFF Installation

INSTALLATION EXPLODED VIEW



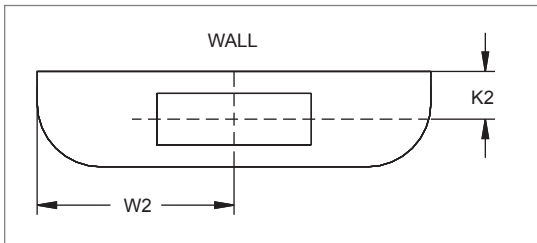
INSTALLATION

Perform the installation in order.

1. Fix mounting brackets (4 places) to low velocity unit.
2. Remove trim (E) from unit.
3. Locate unit against wall and secure through mounting brackets.
4. Fix duct cover support brackets (A) to wall between unit and ceiling.
5. Position base against lower flange of the unit.
6. After installation of duct work, locate duct cover as follows: Locate duct cover section (F) on top flange (G) of unit and firmly push into support brackets fixed to wall (B).
7. Secure duct cover with screws through cover into support brackets.
8. Re-fit trim between duct cover and unit, and between base and unit by bending trim back on itself (E) and pressing bead into groove in flange (G).
9. When multiple sections of duct cover are used (D), an aluminium coupling flange (C) is needed.

DISPLACEMENT VENTILATION

DUCT INSTALLATION



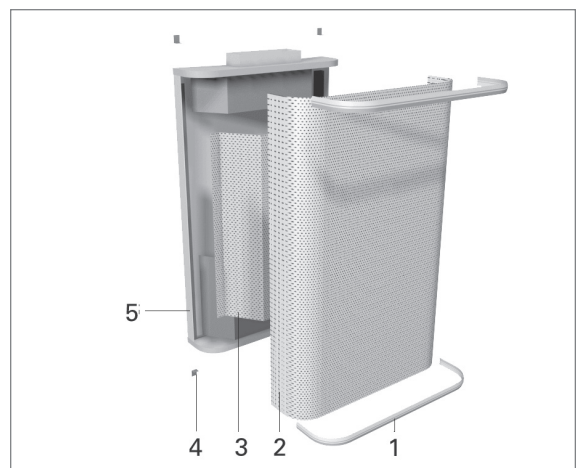
AFF Size	W2	K2
12"x04"	14 3/4"	2 13/16"
24"x04"	18 11/16"	2 13/16"
24"x08"	20 11/16"	4 3/4"
32"x10"	23 5/8"	5 11/16"
40"x12"	29 1/2"	6 11/16"
40"x20"	35 7/16"	10 5/8"

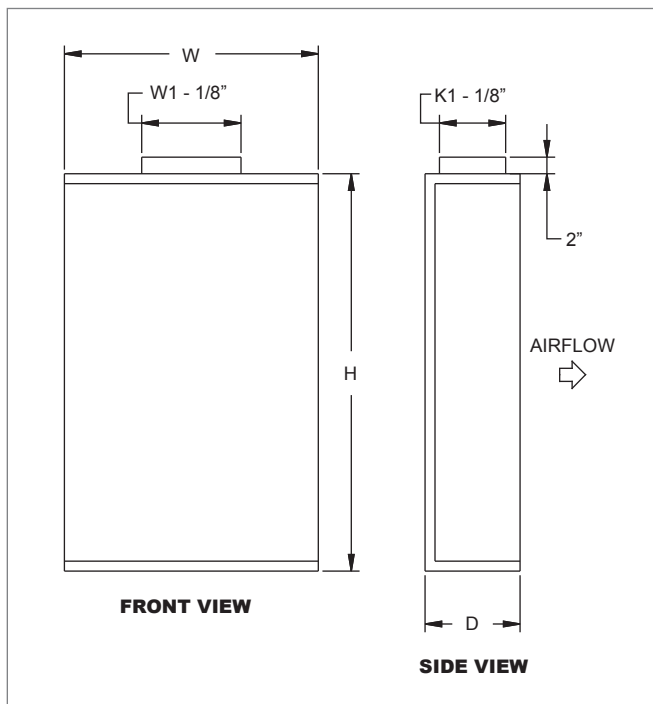
AFF Service & Maintenance

SERVICING

Open the front panel (2) by first removing the trim (1) and unscrew the screws. Pull out the front panel. If required, the internal baffle (3) can be detached by unscrewing the fixing screws. Pull out the inner structure. Clean the parts with a brush or a damp cloth. After cleaning, reassemble in reverse order.

Code	Description
1	Trim
2	Front Panel
3	Internal Baffle
4	Assembly Brackets
5	Casing



AFF Dimensional Information
AFF FRONT AND SIDE VIEWS

AFF DIMENSIONAL REFERENCES

AFF Size	W	H	D	W1	K1
12"x04"	30 3/16"	23 13/16"	7 3/8"	12"	4"
12"x04"	30 3/16"	47 7/16"	7 3/8"	12"	4"
24"x04"	38 1/16"	31 11/16"	7 3/8"	24"	4"
24"x04"	38 1/16"	47 7/16"	7 3/8"	24"	4"
24"x08"	42"	47 7/16"	11 5/16"	24"	8"
24"x08"	42"	71 1/16"	11 5/16"	24"	8"
32"x10"	47 15/16"	47 7/16"	13 1/4"	32"	10"
32"x10"	47 15/16"	71 1/16"	13 1/4"	32"	10"
40"x12"	59 3/4"	71 1/16"	15 1/4"	40"	12"
40"x20"	71 9/16"	71 1/16"	23 7/8"	40"	20"

AFF Reference Chart
AIRFLOW VS. NC LEVEL: AFF SERIES
