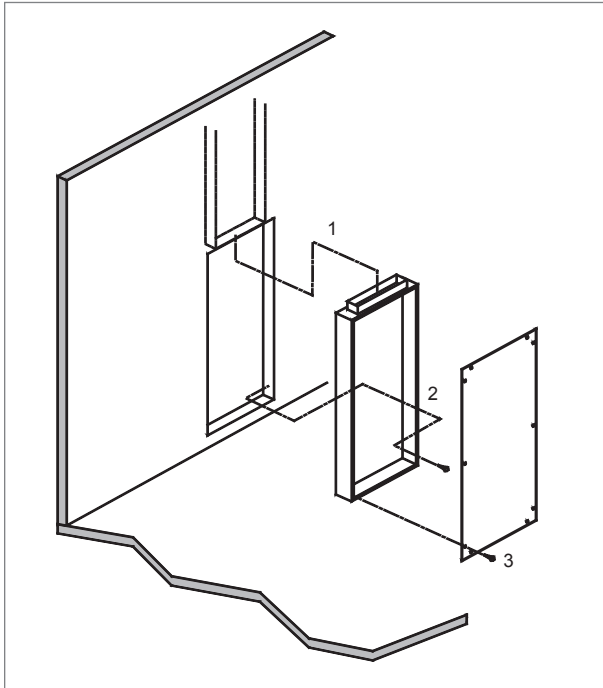


**AFE Application & Installation**

**INSTALLATION EXPLODED VIEW**

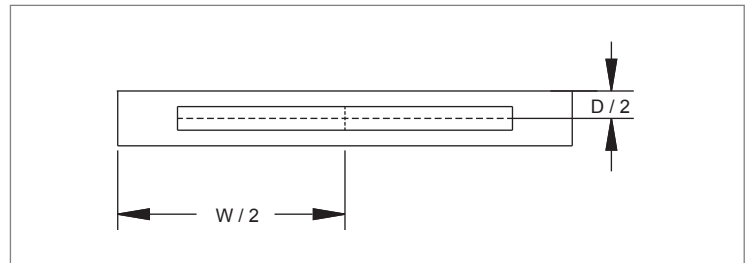


**INSTALLATION**

Perform the installation in order.

1. Locate the diffuser within the wall space and connect the duct work.
2. Fix the diffuser to the wall from inside the casing.
3. Screw the front plate to the casing and hide the screws with the plastic plugs supplied with the diffuser.

**DUCT INSTALLATION**



NOTES: See next page for 'D' and 'W' dimensions.

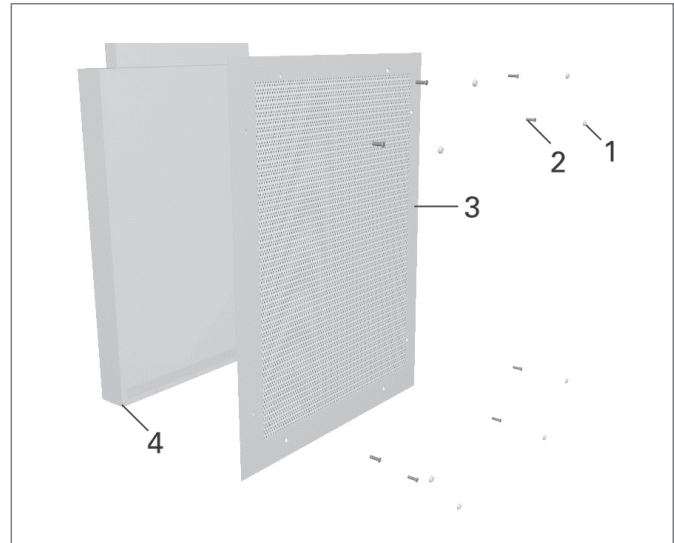
DISPLACEMENT VENTILATION

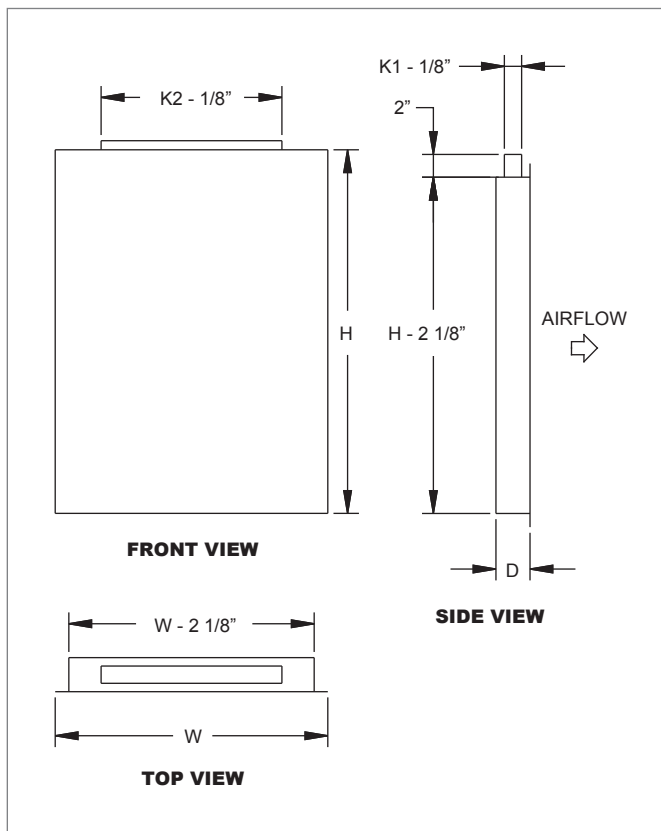
**AFE Service & Maintenance**

**SERVICING**

Open the front panel (3) by unscrewing the screws (2) under the cover plugs (1). Pull out the front panel. Clean the parts using a brush or damp cloth instead of immersing in water. Reassemble in reverse order when attaching the front panel to the casing (4).

Code	Description
1	Cover Plug
2	Screw
3	Front Panel
4	Casing



**AFE Dimensional Information**
**AFE FRONT AND SIDE VIEWS**

**AFE DIMENSIONAL REFERENCES**

AFE Size (Nominal WxH)	W	H	D	K1	K2
24"x24"	23 5/8"	23 5/8"	2 5/9"	1 1/9"	15 11/16"
24"x32"	23 5/8"	31 1/2"	2 15/16"	1 1/2"	15 11/16"
24"x39"	23 5/8"	39 3/8"	3 3/4"	2 2/7"	15 11/16"
24"x47"	23 5/8"	47 1/4"	4 1/2"	3 1/16"	15 11/16"
15"x24"	15"	24"	3 1/2"	2 1/2"	12"
15"x30"	15"	30"	3 1/2"	2 1/2"	12"
15"x36"	15"	36"	3 1/2"	2 1/2"	12"
15"x48"	15"	48"	3 1/2"	2 1/2"	12"
23"x24"	23"	24"	3 1/2"	2 1/2"	18"
23"x30"	23"	30"	3 1/2"	2 1/2"	18"
23"x36"	23"	36"	3 1/2"	2 1/2"	18"
23"x48"	23"	48"	3 1/2"	2 1/2"	18"
24"x30"	24"	30"	3 1/2"	2 1/2"	18"
24"x36"	24"	36"	3 1/2"	2 1/2"	18"
24"x48"	24"	48"	3 1/2"	2 1/2"	18"
30"x24"	30"	24"	3 1/2"	2 1/2"	18"
36"x24"	36"	24"	3 1/2"	2 1/2"	18"
48"x24"	48"	24"	3 1/2"	2 1/2"	18"

**AFE Reference Chart**
**AIRFLOW VS. NC LEVEL: AFE SERIES**
