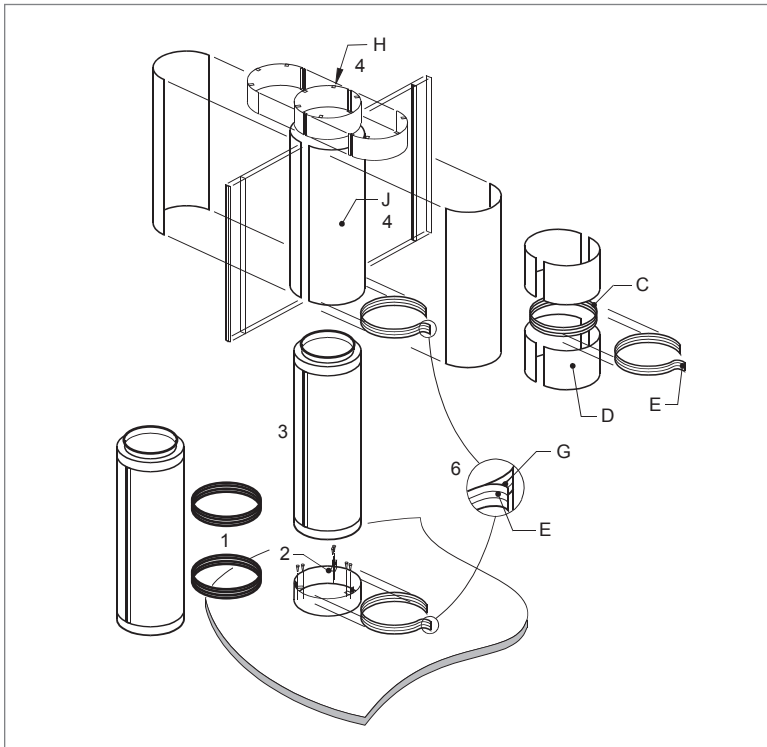


AFC Installation

INSTALLATION EXPLODED VIEW



INSTALLATION

Perform the installation in order.

1. Remove trim (E) from unit.
2. Locate base in position on floor and secure in place with angle brackets (3 places equi-spaced).
3. Locate unit onto base.
4. After installation of duct work locate duct cover as follows: Position top sections (H) together against ceiling and fix into position. Locate main sections (J) on top flange of unit and secure to top sections.
5. Secure duct cover with screws.
6. Re-fit trim between duct cover and unit, and between base and unit by bending trim back on itself (E) and pressing bead into groove in flange (G). When multiple sections of duct cover are used (D), an aluminium coupling flange (C) is needed.

DISPLACEMENT VENTILATION

AFC Service & Maintenance

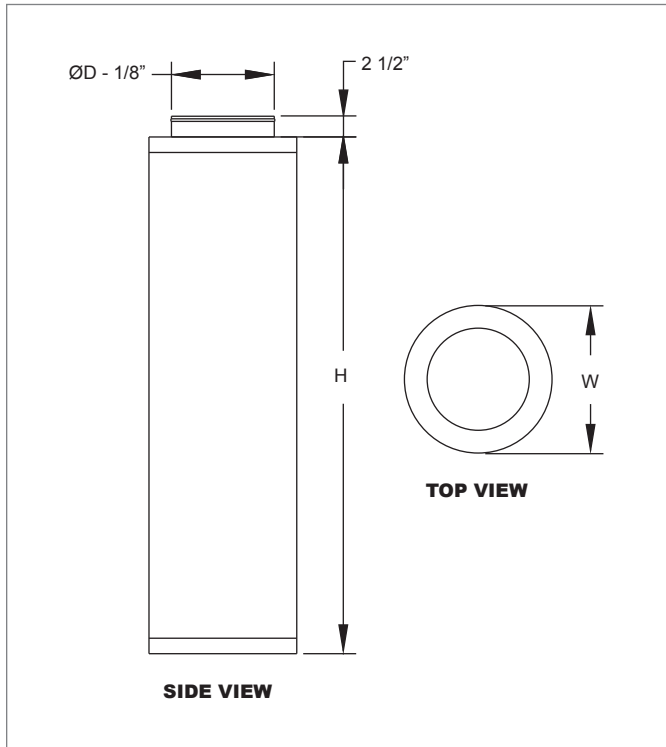
SERVICING

Open the front panel (2) by first removing the trim (1) and unscrewing the screws. Pull out the front panel. If required, the internal baffle (3) can be detached by unscrewing the fixing screws. Pull out the inner structure.

Clean the parts with a brush or damp cloth, instead of immersing water. After cleaning, reassemble in reverse order.

Code	Description
1	Trim
2	Front Panel
3	Internal Baffle
4	Casing



AFC Dimensional Information
AFC SIDE AND TOP VIEWS

AFC DIMENSIONAL REFERENCES

AFC Size (Nominal Dia. x H)	W	H	ØD
12"x40"	11 1/4"	39 3/8"	8"
14"x48"	13 1/4"	47 1/4"	10"
16"x48"	16"	47 1/4"	12"
20"x71"	19 15/16"	70 7/8"	16"
25"x71"	25"	70 7/8"	20"
32"x71"	31 13/16"	71"	24"

AFC ADDITIONAL SIZES AVAILABLE

W	H	ØD
12" Dia.	12" - 48" H	8"
18" Dia.	12" - 48" H	14"
24" Dia.	12" - 60" H	14", 16"
30" Dia.	24" - 60" H	14", 16", 18"
36" Dia.	24" - 48" H	14", 16", 18"

NOTE: 'H' is in 2" increments.

AFC Reference Chart
AIRFLOW VS. NC LEVEL: AFC SERIES
