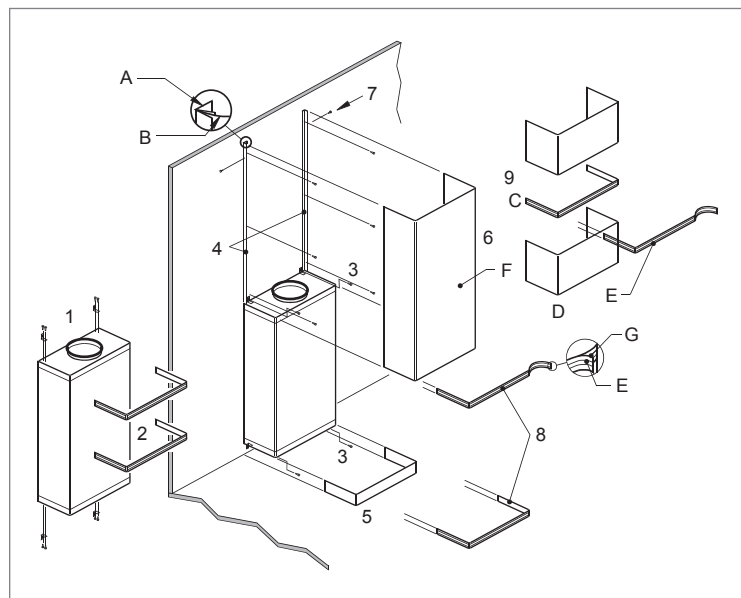
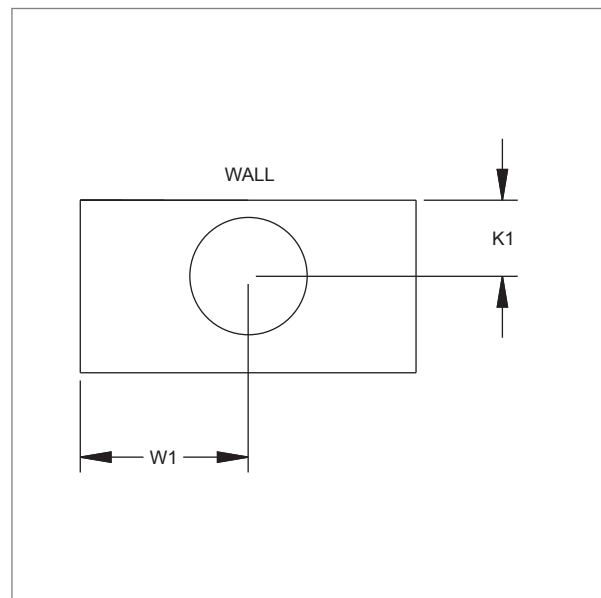


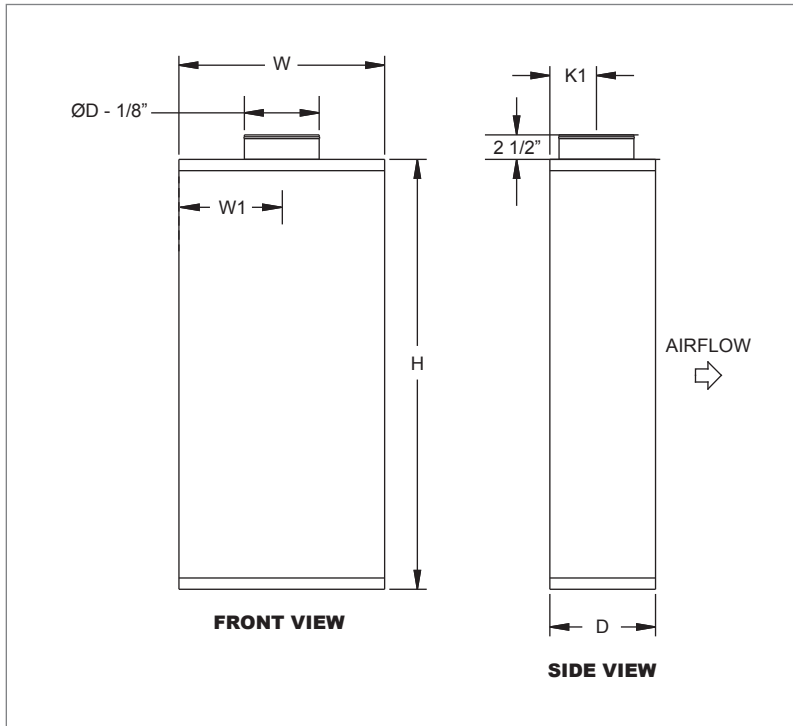
AFA Installation**INSTALLATIONEXPLODEDVIEW****DUCTINSTALLATION**

NOTE: Refer to table on next page for dimensions.

INSTALLATION

Perform the installation in order.

1. Fix mounting brackets (4 places) to low velocity unit.
2. Remove trim (E) from unit.
3. Locate unit against wall and secure through mounting brackets.
4. Fix duct cover support brackets (A) to wall between unit and ceiling.
5. Position base against lower flange of the unit.
6. After installation of duct work, locate duct cover as follows: Locate duct cover section (F) on top flange (G) of unit and firmly push into support brackets fixed to wall (B).
7. Secure duct cover with screws through cover into support brackets.
8. Re-fit trim between duct cover and unit, and between base and unit by bending trim back on itself (E) and pressing bead into groove in flange (G).
9. When multiple sections of duct cover are used (D), an aluminium coupling flange (C) is needed.

AFA Dimensional Information
AFA FRONT AND SIDE VIEWS

AFA DIMENSIONAL REFERENCES

AFA Size (Nominal W x H)	W	H	D	W1	K1	ØD
22"x21"	21 5/8"	21 3/8"	9 3/4"	10 4/5"	4 1/8"	6"
22"x45"	21 5/8"	45"	11 5/16"	10 4/5"	4 7/8"	8"
26"x53"	26"	53 1/4"	13 1/8"	13"	5 4/5"	10"
33"x63"	32 11/16"	63 1/8"	15 1/2"	16 1/3"	7 1/5"	12"
39"x79"	39 3/16"	78 7/8"	18 7/8"	19 3/5"	8 2/3"	16"
47"x79"	47 1/16"	78 7/8"	15 7/16"	23 1/2"	7 4/5"	40x12"
24"x24"	24"	24"	13"	12"	6 1/2"	8", 10", 14"x6"
24"x48"	24"	48"	13"	12"	6 1/2"	8", 10", 14"x6", 16"x8"
24"x60"	24"	60"	13"	12"	6 1/2"	8", 10", 14"x6", 16"x8"
36"x48"	36"	48"	16"	18"	8"	10", 12", 16"x8"
36"x60"	36"	60"	16"	18"	8"	10", 12", 16"x8", 18"x8", 24"x8"
48"x24"	48"	24"	13"	24"	6 1/2"	8", 10", 14"x6", 16"x8"
48"x36"	48"	36"	16"	24"	8"	10", 12", 16"x8", 18"x8"
60"x24"	60"	24"	13"	30"	6 1/2"	8", 10", 14"x6", 16"x8"
60"x36"	60"	36"	16"	30"	8"	10", 12", 16"x8", 18"x8"